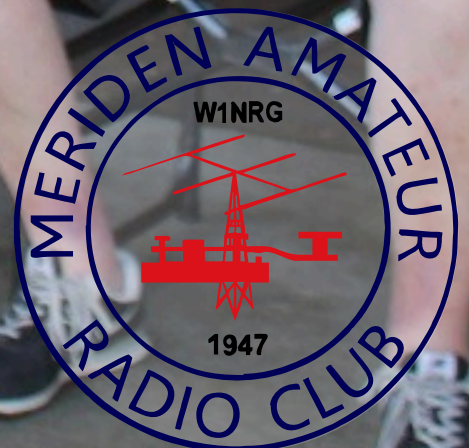


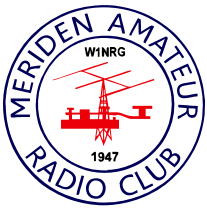
KEY

KLIX

NEWSLETTER EST 1947

SEPTEMBER 2024





NUTMEG HAMFEST

The 32nd Annual Nutmeg Hamfest will be held on Sunday October 13, 2024 from 8am-2pm at Maloney High School in Meriden. --pg. 4

ACTIVITY MEETING

Nutmeg Hamfest Town Hall
Host: Club Pres. Ed - W1YSM
Sept 26th at 7:00p
Meeting ID: 925 1153 2783
Passcode: 000377

TECH CLASS

The Fall 2024 10 week Technician License Class kicks off Tuesday September 24th --pg. 4

LARK AT THE MARC

BY SHAWN WARREN, KC1NQE

The Meriden Amateur Radio Club's annual picnic, traditionally known as "Lark in the Park," took on a new identity this year, transforming into "Lark at the MARC." Held on a hot and sunny weekend in August 2024, the event saw an impressive turnout, with members and guests gathering at the MARC clubhouse on Hopehill Rd in Wallingford for an afternoon of food, fellowship, and fun.

The decision to move the event indoors proved to be a masterstroke, as attendees enjoyed the comfort of air conditioning and an insect-free environment, a significant departure from previous years when the picnic was held outdoors. This change was widely praised by attendees, with many expressing their preference for the new format.

Ted Renzoni, KC1DOY, a long-time member of the club, encapsulated the general sentiment, stating, "Everyone had a great time, the company was excellent, and the food was super. I think that this will set the pattern for all future club picnics." His comments reflect the success of the event and the likelihood that the club will continue to host future picnics at the clubhouse.

The picnic featured an array of delicious food, thanks to the culinary talents of chefs Eric KB1JL, Rick KC1OYN, and Dale NA1L. Their expertly grilled meats were a highlight of the day, with many attendees returning for seconds. Special thanks to KB1JL and his XYL, Debbie, for their shopping efforts, ensuring that every ingredient was of the highest quality.

Adding to the prestige of the event, David Minster, NA2AA, ARRL Chief Executive Officer, joined in the festivities. His presence underscored the significance of the gathering within the amateur radio community, and he was seen mingling with members, sharing stories, and enjoying the camaraderie that the Meriden Amateur Radio Club is known for.

As the day drew to a close, it was clear that "Lark at the MARC" had set a new standard for the club's social events. The success of the picnic has left many members eagerly anticipating next year's gathering. The 2024 Meriden Amateur Radio Club picnic was more than just a success; it showcased the power of community and the joy of coming together to share good food and great company.



KC1PEN AND FAMILY



DAVID MINSTER, NA2AA

INSIDE THIS ISSUE

Feature: Lark at the MARC

- At The Club House 2
- WARG / CERT 3
- Announcements 4
- In The Community 5
- W1NRG On The AIR 7
- Legacy Klux 8
- Editor's Page 10

SPECIAL EDITION

Passing the Klux: Honoring David Swedock K1WJL

Read More pg. 11-12

ROOKIE ROUNDUP

BY BART TOFTNESS, N1BRL

In April 2024, 14 of MARC/WARG Rookies participated in the ARRL Rookie Roundup SSB. We opened the club station and provided control operators as needed to enable our Technician Class Rookies to operate on all available HF Bands. Most operated from the club station as individual operators but some were able to operate from their home QTH stations. K1LYP opened his home station and hosted a group of four operators who participated as a multi op entry.

Our Rookies posted the top 3 scores in the “Single Op: W1” category and fifth overall in the “Multi Op” Rankings. Our objective was to give our Rookies exposure to HF SSB operations with a sampling of contesting. It was a learning experience and everyone had a good time.

Call Used	QTH	Score	Rook QSO	Nonrook QSO	US	VE	XE	DX
KC1QLS	CT	528	12	20	10	2	0	0
KC1TSX	CT	341	6	19	9	2	0	0
KC1STF	CT	182	7	12	6	1	0	0
KC1TKR	ME	132	7	8	5	1	0	0
K0OZ	CT	102	3	11	6	0	0	0
W1BRY	CT	48	2	4	4	1	0	1
KC1TSL	CT	28	2	3	4	0	0	0
KC1QWH	CT	24	2	2	4	0	0	0
KC1TST	CT	15	1	3	3	0	0	0
KC1UJP	CT	15	2	1	2	0	0	1
KC1TSG	CT	11	1	1	2	0	0	0

[CLICK HERE FOR FULL ARRL PAGE](#)

Thanks to all who helped make this possible and Congratulations to all our operating Rookies: K0OZ, KC1QLS, KC1QWH, KC1STF, KC1TSG, KC1TSL, KC1TSN, KC1TST, KC1TSW, KC1TSX, KC1TSZ, KC1TWA, KC1UJP, W1BRY.

ABOUT - ROOKIE ROUNDUP

Rookie Roundup is a contest aimed at Amateurs licensed for three years or less. This six-hour event is held three times per year (April, August and December). Rookies can contact anybody, while "Old Timers" make contact with only Rookies. Mentoring is a big part of this event!

NEXT ROOKIE EVENT: DECEMBER 22, 2024 - USING CW
EVENTS RUN FOR 6 HOURS (FROM 1800 TO 2359 UTC)

WEBINAR- KB1JL PRESENTS

BY ERIC OLSSON, KB1JL



On August 6, members of the Wallingford Amateur Radio Group (WARG) – K1LYP, N1LES, N1BRL, and KB1JL – participated in a webinar titled “Amateur Radio and CERT”, sponsored by the Connecticut Division of Emergency Management and Homeland Security (DEMHS). The event, attended by over 115 Connecticut CERT members, focused on the crucial role of amateur radio in emergency response.

KB1JL delivered a presentation on Wallingford CERT’s partnership with WARG, highlighting the effectiveness of collaboration between amateur radio operators and municipal agencies. The presentation showcased Wallingford’s Office of Emergency Management (OEM) facility, the W1NRG amateur radio station, and WARG’s communications trailer. These resources are key to ensuring reliable communication during emergencies.



INSIDE THE WARG COMS TRAILER

The webinar underscored the importance of integrating amateur radio into CERT programs statewide, emphasizing that amateur operators provide vital communication when traditional systems fail. The event was well-received, inspiring other CERT programs to strengthen ties with local amateur radio groups, further enhancing community preparedness.

Upcoming WARG Events	
OCT 5-6	Celebrate Wallingford Sat 11a-6p Sun 11a-5p
OCT 6	Fishbein/YMCA Road Race 81 South Elm Street, Wallingford, CT 8am

LIVE NATION PREMIUM

CELEBRATE WALLINGFORD

OCTOBER 5-6, 2024

SAT. 11AM-6PM SUN. 11AM-5PM

VENDORS. FOOD. ART. MUSIC

DOWNTOWN WALLINGFORD, CT 06492

PRESENTED BY Wallingford CENTER INC.

OPEN TO PUBLIC

AMATEUR RADIO TECHNICIAN LICENSE CLASS



Tuesday Evenings
6:30pm-8:30pm
September 24th-November 26th



*Exam optional on 11/26

This is a 10 week course taught by ham radio operators affiliated with the Meriden Amateur Radio Club and Wallingford Amateur Radio Group. This class will prepare you to pass the 35 question FCC exam for the technician class amateur (ham) radio license.

Topics Include:

- Intro to Amateur Radio
- Licensing and Regulations
- Radio and Signals Fundamentals
- Electricity, Components and Circuits
- Antennas and Propagation
- Amateur Radio Equipment
- Operating Regulations
- Safety

Classes are held at the Wallingford OEM
(Yalesville Firehouse)
143 Hope Hill Rd
Wallingford, CT 06492

Enrollment is through the Wallingford Adult Education. Scan the QR code to enroll or visit www.wallingfordadulthood.org
(You do not have to be a Wallingford resident to enroll)



There is a \$25 fee for the textbook: **ARRL Technician License Guide**
For those taking the *exam on 11/26 there is a \$15 license exam fee plus a \$35 license fee to the FCC

For more information contact James (AB1DQ) at James@ab1dq.com or visit www.w1nrg.com

MARC VE SESSIONS

MARC hosts a VE License Exam Session on the second Saturday of each month starting at 9:00 AM local time at the OEM at 143 Hope Hill Road, Wallingford CT.

Appointments are not necessary.

For more information, contact Jim Savage N1ZN at N1ZN@arrl.net



ARRL VEC



The 32nd Annual

Nutmeg Hamfest

and ARRL Connecticut State Convention

Sponsored by the Meriden Amateur Radio Club, Inc.

Sunday, October 13th, 2024 - 8:00 AM - 2:00 PM



MALONEY HIGH SCHOOL
121 Gravel Street, Meriden CT 06450

A great new facility with plenty of room for tailgating!

MANY GREAT DOOR PRIZES!

Free Parking - Food - Vendors - Loads of Tailgating!

ADVANCE TICKETS VIA PAYPAL
OR VENMO AVAILABLE NOW!



<http://www.w1nrg.com/activities/nutmeg-hamfest/>

\$10.00 + \$1.00 Transaction fee.

FEATURED SPEAKERS & ACTIVITIES

ARRL FORUM 9:00 am - 10:00 am Fred, AB1OC, ARRL New England Div. Director Douglas, WA1SFH, ARRL CT Section Manager	WINLINK & ARES: 2024 & BEYOND 10:00 am - 11:00 am Bill, NR1B
CONNECTICUT POTA ACTIVATORS GROUP 10:00 am - 11:00 am Shawn, KC1NQE	AMATEUR RADIO & WEATHER: THE ROLE OF SKYWARN & CoCoRaHS 11:00 am - 12:00 pm Ed, W1YSM, MARC President Matt Spies, CT CoCoRaHS Coordinator
PLUS: GO BOX COMPETITION - CW DEMONSTRATION - CERT / EMCMM EXHIBIT - ARRL BOOTH	

ADMISSION INFORMATION

Inside vendor setup & tailgating starts at 6:00 AM
Building opens to the public at 8:00 AM
Admission: \$10.00. Under Age 18 admitted free
Tailgating: \$15.00 per outdoor space.
Inside Tables: \$25.00 (\$20.00 if paid by 9/10)
6 ft table & chair



Please Support Our MAJOR EXHIBITORS

[Quicksilver Radio Products](http://QuicksilverRadioProducts.com)
[KJJ Electronics](http://KJJ Electronics.com)
[Hamsource](http://Hamsource.com)

VE SESSION

The VE Session begins at 9:00 AM sharp
Contact: Jim Savage, N1ZN@arrl.net
Note: While we may be able to accommodate walk-ins, pre-registration is strongly recommended.

Less than 2 hours from NYC, LI, NJ, NEPA, Boston, & Albany and only seconds from I-91!

Talk In: W1NRR/R 147.360 +.600 PL 162.2

VISIT THE MERIDEN AMATEUR RADIO CLUB WEBSITE FOR UPDATES: www.w1nrg.com

W1NRRG Weekly Net Schedule

MON	NEW HAVEN/MIDDLESEX SKYWARN NET 7:00 PM, W1NRRG/R 147.360 + 162.2 HZ CTCSS 6 METER SSB NET 8:00 PM, 50.175 MHZ
TUE	2 METER FM NET 7:00 PM, W1NRRG/R 147.360 + 162.2 HZ CTCSS 10 METER SSB NET 8:00 PM 28.375 MHZ
WED	JUST PUSH THE BUTTON NET 7:00 PM, W1NRRG/R 147.360 + 162.2 HZ CTCSS
SAT	COFFEE CUP NET 9:00 AM, W1NRRG/R 147.360 + 162.2 HZ CTCSS
SUN	ELMER NET 7:30 PM VIA ZOOM. LOG IN CREDENTIALS IN W1NRRG WEBSITE MEMBERS AREA.

COME TO THE OEM AT 143 HOPE HILL ROAD ON SATURDAY MORNINGS FOR THE CLUB WEEKLY OPEN HOUSE. JOIN US STARTING AT 9:00 AM AND MEET FELLOW CLUB MEMBERS IN A SOCIAL SETTING AND PARTICIPATE IN VARIOUS RADIO ACTIVITIES.

SHARING KNOWLEDGE AT THE ARRL TEACHERS INSTITUTE

BY RAY CIRMO, KC1QLS

At the end of July, Ray Cirmo KC1QLS spent a day at ARRL Headquarters as an advisor to the Teachers Institute. This class marked a first-time trial focused on the exciting intersection of Ham Radio and ballooning, bringing together an ARRL instructor, five enthusiastic student Educators, and an experienced aeronaut.

CONNECTING ALL COMPONENTS SEAMLESSLY TO ASSEMBLE THE FINAL LAUNCH VEHICLE, READY FOR DEPLOYMENT.

INTEGRATION

BALLOONS

AN INTRODUCTION TO BALLOON SELECTION, FLIGHT DYNAMICS, AND THE PRINCIPLES OF BALLOONING.

DETAILED EXPLORATION OF THE WEAK SIGNAL PROPAGATION REPORTER TRAINING THE U4B WSPR BOARD FOR EFFECTIVE TRACKING.

WSPR

THE DAY WAS PACKED WITH HANDS-ON ACTIVITIES AND COMPREHENSIVE LESSONS DESIGNED TO EQUIP EDUCATORS WITH THE SKILLS AND KNOWLEDGE TO INTEGRATE RADIO BALLOONING INTO THEIR CLASSROOMS.

TECHNIQUES FOR DESIGNING AND CONSTRUCTING A STABLE PLATFORM TO CARRY BOTH THE SOLAR PANEL AND WSPR BOARD, ENSURING THE INTEGRITY OF THE LAUNCH VEHICLE.

FABRICATION

ANTENNAS

SELECTION, ASSEMBLY, AND OPTIMIZATION OF ANTENNAS SUITABLE FOR BALLOON-BASED COMMUNICATION.

SOLAR POWER

STEP-BY-STEP GUIDANCE ON BUILDING A SOLAR PANEL FROM A SERIES OF SOLAR CELLS, ESSENTIAL FOR POWERING THE WSPR BOARD DURING BALLOON FLIGHTS.

"Besides having a wonderful time and meeting some awesome educators, this session also allowed me to share my knowledge of radio ballooning with others," shared Ray KC1QLS. "As part of the ARRL ballooning grant the club was awarded, the grant called out the need to disseminate radio ballooning knowledge to others in the hobby. Being a part of this class means this knowledge will be going to teachers all over the country, hopefully getting a number of teachers and students excited about this aspect of the hobby."

TEACHERS INSTITUTE (CONT)

Building on the success of this inaugural class, Ray KC1QLS plans to further develop and distribute lesson plans and activities tailored for physics curricula involving ballooning. These resources will be shared with participants of the Teachers Institute, amplifying the reach and impact of radio ballooning in educational settings.



DAVE, NZ1J & RAY, KC1QLS

THIS EXEMPLIFIES THE W1NRG RADIO CLUB'S COMMITMENT TO EDUCATION AND COMMUNITY ENGAGEMENT. BY EMPOWERING EDUCATORS WITH THE TOOLS AND KNOWLEDGE TO INCORPORATE RADIO BALLOONING INTO THEIR TEACHING, WE ARE NURTURING THE NEXT GENERATION OF HAM RADIO ENTHUSIASTS AND STEM LEADERS.

"I AM PROUD TO BE ABLE TO SHARE MY KNOWLEDGE AND WORK WITH OTHERS IN THE HOBBY, BOTH AS A MEMBER OF THE ARRL AND THE MERIDEN AMATEUR RADIO CLUB (MARC),"
ADDED RAY KC1QLS.
THIS INITIATIVE NOT ONLY SUPPORTS THE ARRL'S MISSION BUT ALSO STRENGTHENS OUR CLUB'S ROLE IN FOSTERING EDUCATIONAL EXCELLENCE AND INNOVATION WITHIN THE AMATEUR RADIO COMMUNITY.



*IF YOU ARE INVOLVED IN SIMILAR EDUCATIONAL OUTREACH OR KNOW A CLUB MEMBER THAT IS HELPING TO BRING HAM RADIO TO THE COMMUNITY - LET US KNOW!
TOGETHER, WE CAN SUPPORT ONE ANOTHER AND INSPIRE OTHERS IN OUR COMMUNITY TO EXPLORE THE FASCINATING WORLD OF AMATEUR RADIO.*



MASONIC LODGES ON THE AIR - STEVE, KC1QWH

On September 28th, from 10 AM to 4 PM local time (1400-2000 UTC), Masonic Hams will participate in Masonic Lodges on the Air. The goal is to make as many contacts with Masonic Lodges as possible, earning more points if done from inside a lodge. Wallingford's Compass Lodge No. 9 will be open to local hams, with the special event call sign W9C and QSL cards available. Join us at: **50 North Main Street, Wallingford, 2nd floor**, or on the air from your QTH - All are welcome! Email KC1QWH@gmail.com for more info.

LABOR DAY CYCLING AND RADIO - JAMES, AB1DQ

After returning home from a week in the Midwest visiting family, friends and activating a pair of Wisconsin parks for POTA, James, AB1DQ made good use of the excellent Labor Day weather and combined his love of cycling with his love of radio

Realizing how easy it was to travel with his Xiegu G90 and LiFePO battery in his carry on bag while packing his JPC12 antenna and 50' of coax into his checked bag while flying last week, James correctly figured that his complete POTA station would easily fit into the panniers [saddlebags] on his Aventon LEVEL e-Bike.

James rode the short 5 miles from Cheshire to Sleeping Giant on the Farmington trail and successfully activated US-1717 making 23 phone contacts plus 6 CW contacts on 20 M.

NEW CAPABILITIES - MIKE, KC1MJZ

I was provided with some antenna parts, ready for re-use, by a MARC member recently. I used the mast pieces that Shawn, KC1NQE, provided to raise my discone antenna up to 30 feet. This discone is relatively new to me as I picked it up for a good price at the spring swap meet held up at the The Vintage Radio and Communications Museum of Connecticut in Windsor. Having this style of antenna has allowed me to dive deeper into learning about the activities on VHF/UHF as the band I started on was 10m. I listened to local airfield traffic and heard a skydiving school warning about their students jumping over the airfield. I found the ARRL Bulletins in CW and digital modes on 147.555 and this re-sparked my interest in computer-assisted radio activities

I have long held an interest in email over RF so I decided this was the year I would conquer Winlink. After watching some of OH8STN's YouTube videos on field portable radio operations in order to mine his content for ideas, I found a good deal on a Windows10 netbook and once it arrived in the mail I started installing ham software. As of the final week in August 2024, I got my computer and IC-705 to send an email using Winlink Express and VARAFM on 2m by transmitting through that new discone antenna to the W1AW-10 gateway station at ARRL HQ in Newington, a distance of about 15km. It feels good to make progress in this hobby. I owe thanks to a few club members for assistance and shared knowledge. I know there is much more for me to learn, but that is part of the challenge and the joy of ham radio. Thanks to KB1JL, K1MAL, KC1STF and WA1FFT. I hope all of you reading this find a decent challenge and/or project to get you through the winter and I look forward to hearing about it from you.



NZ1J SATELLITE OPS

DAVE BORROWED THE CLUB'S EGGBEATER ANTENNA ARRAY TO DO SOME SATELLITE OPS FROM HIS DRIVEWAY RECENTLY.

W1EDX 6500 QSO

PAUL "THE GREAT POTA HUNTER" HAS REACHED A NEW LEVEL



BUILD A GO-BOX: BELLS & WHISTLES



Drilling Holes: The USB outlet, dual Anderson Power Pole and the Voltage meter were all drilled with a 1.25-inch circular saw. The lighting SPST light switch's hole is 0.75 inches plus a little work with a rat tail file. The DPDT switch uses a 0.5-inch hole. Two small holes were made for the 6-lug power pole bolts, mounted inside the dry box. The three LED holes were 3/8 inch. All the drilling, except for the three LEDs, was done from the inside so I could avoid drilling on the vertical cover structure.

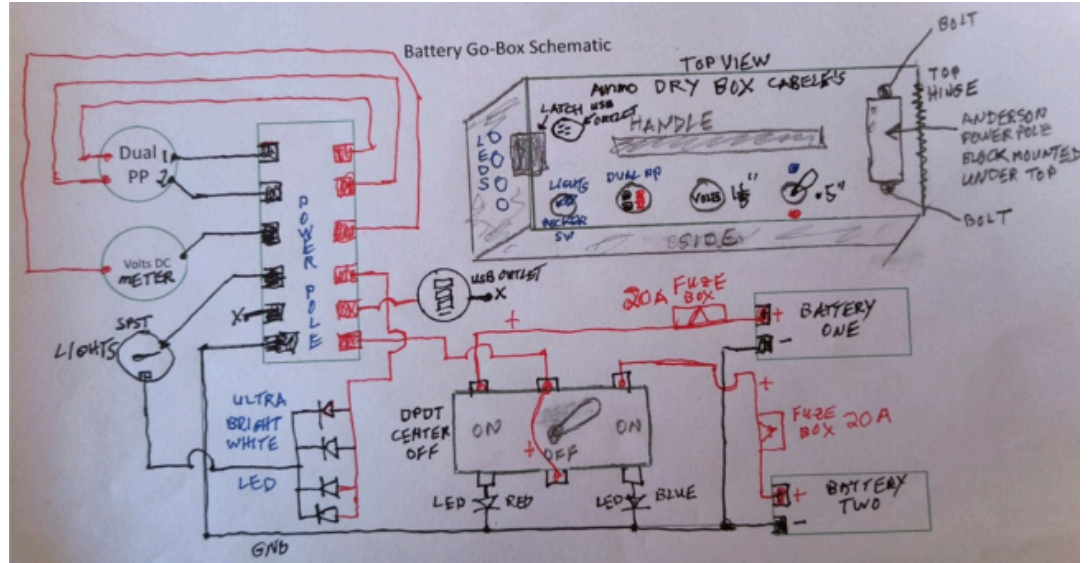
Tools and Wiring: I'm assuming you have a drill with bits plus a soldering iron/solder and a crimper for the connectors. The big-ticket items are the crimper for the batteries, Power Poles, the 6 terminal power plug strip and Red/Black low voltage #16/2 and #14/2 AWG wire. I also used #12/2 from the batteries to the A/B switch and to the power pole strip, batter choice. The voltage meter, USB outlet, and LED light switch got direct runs #16/2 from the power strip. The DPDT is a center OFF, so the power strip has no power until a battery is selected. The SPST rocker turns on the three LED lights and #14 AWG everywhere else. For the positive battery lug, insert a 12 AWG inline fuse holder, using mating insulated crimp connectors, that have clear heat-shrinkable plastic. Heat shrink Wire Connectors are used to connect eyelets to the screws on the DPDT switch. Red and blue LEDs (not shown below) that have very thin R/B leads were soldered to a 3-inch piece of #16 and covered with heat shrink. Several low current ground connections were needed, such as the Red/Blue LED's ground connection. I used black #16 to make multiple short leads that were crimped into one of the voltmeter's negative power pole connectors. I cut off the eyelets that were on the charger and installed power pole connectors for easy charging. The ultra-bright LEDs come in 12 to a pack, so you choice on how many to use. Heat shrink was put over the soldered connections. Four-inch tie wraps were used placed to remove strain on the thin LED wires, placed around the heat shrink, and more sturdy wires.

BY RAY IRWIN, WA1FFT

A COMMERCIAL GO-BOX WITH A LITHIUM 10 AMP HOUR BATTERY, VARIOUS TERMINALS, AND LED LIGHTS GOES FOR OVER \$200. WITH A LITHIUM BATTERY, THOSE GO-BOXES ARE LIGHT BUT DON'T HAVE AN ANDERSON POWER POLE. SO, WITH THREE ARES RADIO GO-BOXES, I NEEDED TWO MORE WITHOUT SPENDING A LOT FOR A BATTERY GO-BOX WITH A LITTLE MORE AMPERE-HOUR CAPACITY. SO, I DECIDED TO BUILD ANOTHER TWO. I USED SEALED LEAD ACID (SLA) BATTERIES, TWO CABILA'S AMMO DRY BOXES, AND A LOT OF PARTS FROM AMAZON. I HAD MANY OF THE TOOLS AND PARTS FROM OTHER AMATEUR BUILD PROJECTS SO I GAVE IT A GO. MY FINAL DESIGN COULD SELECT EITHER BATTER A OR B, WITH AN ASSOCIATED RED OR BLUE LED LIGHT. ALL THE HOLES AND ELECTRICAL HARDWARE COULD ALSO TAKE A LIGHT RAIN. ANDERSON POWER POLE HARDWARE WAS USED EXTENSIVELY FOR ALMOST ALL THE CONNECTIONS. FOR THE SOLDERED LED WIRES, I USED MARINE HEAT SHRINK WITH INTEGRAL ADHESIVE.

GO-BOX - WA1FFT PARTS LIST:

- 12V USB OUTLET WIRE
- USB CHARGER MULTI PORT,
- DUAL PD3.0 USB-C AND
- QUICK CHARGE3.0 CAR USB
- POWERWERX
- PANELPOLE2, PANEL
- MOUNT HOUSING FOR TWO
- ANDERSON POWERPOLE
- CONNECTORS W. WEATHER
- TIGHT COVER
- CARLITS EAGLE EYE LED,
- 10PACK-WHITE LIGHT-
- ULTRA THIN DAYTIME
- RUNNING LIGHTS
- LIGHT MARKER DIY FOR
- CAR MOTOR MOTORCYCLE
- MCIGICM 12 AWG INLINE
- FUSE HOLDER WITH 30A
- ATC/ATO BLADE FUSE, 5-
- PACK
- TWIDEC/5PCS 12V
- ROUND ROCKER SWITCH
- AC 6A/250V 10A/125V SPST
- 2 PIN 2 POSITION ON/OFF
- TOGGLE SWITCH
- AUTOMOTIVE RV BLACK
- WITH WIRES KCD1-5-101-
- ON-OFF-CX
- THREE ROLLS OF 100 FT
- WIRE, ONE 16/2, A 14/2 AND
- A 12/2 GAUGE RED BLACK
- CABLE HOOKUP WIRE



- KUJECT 320 PCS HEAT
- SHRINK WIRE CONNECTORS,
- MULTIPURPOSE
- WATERPROOF ELECTRICAL
- WIRE TERMINALS KIT,
- INSULATED CRIMP
- CONNECTORS RING FORK
- SPADE BUTT SPLICES FOR
- AUTOMOTIVE MARINE BOAT
- TRUCK
- CHUNZEHUI F-1011 6-
- POSITION 45A POWER POLE
- DISTRIBUTION BLOCK
- MODULE, ABOUT \$40.
- YOU WILL ALSO NEED TO
- BUY 30-AMP POWER POLES,
- ABOUT \$35.
- CNAODUN WATERPROOF
- TOGGLE SWITCH ON-OFF-
- ON 12VDC
- DAIERTEK VOLTMETER
- GAUGE, 12 VOLT 24 VOLT 36
- VOLT DIGITAL VOLTAGE
- METER
- LST 12V BATTERY
- TRICKLE CHARGER SMART
- FLOAT CHARGER FOR SLA
- CABEL'S AMMO DRY
- BOX: 767 CUBIC INCH
- CAPACITY. 15.75"L X 8"W X
- 10"H. MADE IN USA.



THE MERIDEN AMATUER RADIO CLUB HAS A LONG, VAST, AND GROWING HISTORY. EACH MONTH A HISTORIC ARTICLE FROM OUR KEY KLIX ARCHIVE WILL BE FEATURED.

Passing the Klix

BY SHAWN WARREN, KC1NQE



Dave K1WJL, your involvement with Key Klix since 1963 is nothing short of extraordinary. For decades, you have been the backbone of our club's communications, ensuring that each issue of Key Klix was filled with valuable insights, news, and stories that brought our community closer together. Your dedication as Editor has left an indelible mark, and I know that I have some big shoes to fill.

Beyond your work with Key Klix, your contributions to the club as President from 1978 to 1979 and Treasurer from 2015 to 2022 were invaluable. You have helped manage our club and finances with a steady hand, ensuring that the club remained solvent and could continue to thrive. Your meticulous attention to detail and commitment to our club's well-being did not go unnoticed, and we are all grateful for your service.

Your journey in ham radio, from earning your Novice class license in 1962 to becoming a top DXer and achieving #1 DXCC, has been an inspiration to us all. You've shared your knowledge and experience generously, helping countless members grow in their own amateur radio journeys. Whether it was through your early experiments with antennas, your success in contesting, or your expertise in electronics, you've always been a source of guidance and encouragement.

As you pass the torch, I want to assure you that the legacy you've built will continue to inspire and guide me as I take on this role. I'm honored to follow in your footsteps, and I hope to continue the tradition of excellence you've established. Thank you, Dave, for your unwavering commitment to the Meriden Amateur Radio Club. Your contributions have shaped our club in ways that will be felt for generations to come.

To my fellow club members, I look forward to continuing the tradition of keeping you all informed and connected through Key Klix. I hope this issue is an inspiration for you to share any ideas or content you'd like to see in future issues. My goal is to highlight your activities and the achievements of the Meriden Amateur Radio Club each month.

Keep Creating 1 New Quality Experience!

Shawn Warren
KC1NQE

EDITOR

SHAWN WARREN, KC1NQE

EDIT STAFF

Dave, K1WJL | Mike, KC1MJZ
Kristin, KC1ISI | James, AB1DQ

BIOGRAPHER

Bob, WB1GYZ

PHOTOGRAPHER

Ted, KC1DOY

CONTRIBUTORS THIS MONTH

Ray, KC1QLS | Eric, KB1JL | Bart, N1BRL
Steve, KC1QWH | Dave, NZ1J



AS THE EDITOR TYPES

DAVE K1WJL



Dave K1WJL is also a member of the Meriden Lions Club. Claiming the title of "Duck Commander" leading a flock of 4,000 rubber ducks.

FROM DAVE TIPPING, NZ1J ON FACEBOOK

I'd like to say, "Thank You!" to Dave, K1WJL, for his many years of service as the editor of Key Klix. This photo, coincidentally taken from the February 2021 issue of Key Klix, informs us that Dave was the original editor in the 1960's.

That's about a sixty year span of volunteer work to maintain a high quality monthly newsletter for the club. Many new club members may not know that Dave also served as the club treasurer for many years. I'm afraid that I'm a new enough member that I don't have first-hand knowledge of the other club positions Dave has held. Perhaps some long-time club member can chime in.

Again, Dave, THANK YOU.

1960s -----

From 1964 - Although he isn't shown in this picture, please note the name circled in RED below. Yes, that's the original club purveyor of wit, humor and of course all things news-worthy back in 1964 and now 2021.

Noted: ORIGINAL editor of Key Klix - Dave Swedock, K1WJL



LONG DISTANCE CALLING — Mr. and Mrs. William Baker, left, Lawrence Cooke and Floyd Steiner, right, listen as Frank Darmofalski talks via "ham" radio to Douglas Blakeslee, a Meriden airman stationed in Lyon, France. Baker is treasurer of the club; Cooke, vice president; Steiner, secretary; and Darmofalski, president. Mrs. Baker is circulation manager of the club's monthly newspaper, the "Key-klix," which is read by area amateur-radio operators as well as local members. (Dave Swedock is editor.) (Record Photo)

Amateur Radio Club





A K1WJL Profile by Bob WB1GYZ

Dave Swedok, K1WJL earned his Novice class license at the age of 14 in 1962 after being mentored by Mike Buczek K1JMV and given Novice Exam by Frank Darmofalski, W1FD. though he had already taken the initiative to learn code by listening to code practice phonograph records. His original equipment consisted of a Hallicrafters S-38E rcvr and a Globe Chief Deluxe xtal ctrl 70W xmtr. A longwire antenna ran the length of the kitchen and out into the backyard.

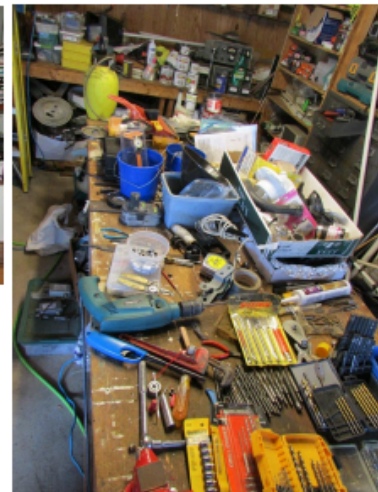
He made General in '65 and upgraded his equipment to a Johnson Viking Valiant II 200W AM xmtr, Mosely CM-1 rcvr, and a homebuilt SB-400 xmtr. About 1966 he built his first cubical quad antenna using bamboo for the 10 and 15 meter band. He liked the quad so much that he eventually built a "monster quad" with 4 elements on 20 and 15 meters, and 7 elements on 10. He took photos during construction and would be happy to show them as a slide show for an activity meeting, if there is enough interest. In 1969 Dave became involved in contesting and DXing, and in '85 was awarded #1 DXCC by working every country on the air. There were 326 countries back then, which netted him 326 postal QSL card confirmations. In 1988 Dave switched his main antenna to a KLM KT34XA, his first non-quad antenna. He was pleased with its performance over a ten year span, but unfortunately, it was destroyed by an ice storm. As a parallel to his hobby, Dave attended Wilcox Tech. School and Industrial Electronics Program from 1961 - 1965 where he learned basic electronics and became President of their radio club. From 1965 to 1967 he attended Hartford State Technical College and earned a degree in Electrical Engineering, after which, began employment with Canberra Industries working in the nuclear detection department. In 1969 he worked at the nuclear structure lab at Yale University as a Nuclear Electronics technician, and then opened Swedock Communications Lab, where he repaired commercial two-way radio equipment. Not about to rest on his laurels he then taught electronic courses at P&W, followed by his desire to open a ham radio store in Meriden, which later became known as Rogus Electronics. In 1980 he began a career teaching electronics at Goodwin Technical School in New Britain for 22 years, rising to department head. He also returned to College to attain his Bachelors in Vocational Education. In 2002 Dave retired and now has more time to devote to the hobby that proved so instrumental in giving him such a varied electronics career. When asked about the direction the hobby is going, he confided that he sometimes longs for the old days of simple operating...before computer interface.



K1WJL CIRCA 1964



CURRENT OPERATING STATION



WORK BENCH, NOTE COLLINS S-LINE ON REAR BENCH



40 METER TUNED VERTICAL WITH 15 TUNED RADIALS, LOADS UP ON 40-10 WITH TUNER--KILLER ANTENNA!



TOWER ALMOST READY TO GO BACK UP

EDITORS NOTE:

THIS ARTICLE WAS THE RESULT A PERSISTENT WB1GYZ SHOWING UP AT MY QTH WITH CAMERA IN HAND AND A NOTEBOOK. I WOULD HAVE PREFERRED TO HIGHLIGHT OTHERS....SO PLEASE LET BOB DO HIS THING AND VISIT YOU... EDITOR

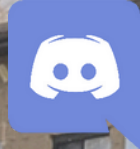
W1NRG MEMBERS

AA1EM	Kas	KC1KQH	John	KC1VCU	John	W1NDT	Robert
AB1DQ	James	KC1MJZ	Michael	KC2MLH	Adam	W1PRK	James
AB1HB	Charlie	KC1NQE	Shawn	KC3UKG	Storm	W1RCI	Ron
AB2T	Jordan	KC1NRD	John	KD0BMW	Marty	W1RWW	Bob
AF1X	James	KC1NUX	Steven	KE1AU	Bob	W1TK	Ron
K0OZ	Brian	KC1OCF	Karl	KE1AV	Dave	W1UFO	Mike
K1BTR	Bryan	KC1OCS	Richard	KK7NLS	John	W1UKX	Greg
K1DMS	Dave	KC1OGL	Paul	KO1J	Randy	W1YSM	Ed
K1JCF	Joe	KC1OWD	Kevin	KO4EEL	Tom	W3APC	James
K1LHO	Mike	KC1OYN	Rick	KR1U	Bob	WA1BAR	Michael
K1LYP	John	KC1OYR	Brent	KS1WK	Seth	WA1CJA	Matt
K1MAL	Chris	KC1PBQ	Randy	KX1USA	Rob	WA1EXA	Mark
K1MMK	Michael	KC1PEN	David	N0HIO	David	WA1FFT	Ray
K1NEG	Nelson	KC1PXX	Dave	N1AKN	Jeff	WA1JKR	John
K1PET	Debbie	KC1PYT	Jeff	N1API	Al	WA1K	Jack
K1RCT	Rob	KC1QHO	Mike	N1BRI	Brian	WA1MAC	Paul
K1SCI	Stuart	KC1QLS	Ray	N1BRL	Bart	WA1RAB	Bob
K1SMD	Silas	KC1QWH	Steve	N1FNE	Rod	WA1SFH	Douglas
K1STM	Anne	KC1RBY	Sergio	N1GNV	John	WA1TRY	Rich
K1TDO	Todd	KC1RLQ	Eric	N1GY	Geoff	WA1WDN	Bob
K1TGX	Jerry	KC1SA	Stephen	N1IBE	Wade	WA1ZVY	Jim
K1UID	Chuck	KC1SDA	Richard	N1JEO	Joel	WB1DMK	William
K1VDF	John	KC1SEN	Nicholas	N1JMX	Jeff	WB1DQT	Bill
K1WJL	Dave	KC1SLV	Joshua	N1JRC	John	WB1GFI	Stan
K4AVM	Andrew	KC1STF	Julian	N1LES	Joe	WB1GYZ	Bob
K5ATA	Steve	KC1SYU	Jim	N1NGV	Kevin	WB8IMY	Steve
K5CYN	Cyndi	KC1TAD	Tom	N1NIS	Noah	WJ1B	Harold
KA1BED	Bill	KC1TCO	Dee	N1OKF	Bob	WV2LKM	Steve
KA1BMF	Constantino	KC1TEV	Mark	N1OKR	Frank	WX1W	Mary
KA1JTG	James	KC1THU	Mike	N1OQC	Mike	WY1U	Tim
KA1YZC	Paul	KC1TKH	Bill	N1PQQ	Greg		John B.
KB1APO	Jim	KC1TKY	Bob	N1WCL	David		Michael C.
KB1CXK	Joseph	KC1TKZ	Mark	N1XXU	Andy		Bill F.
KB1EHE	Eric	KC1TOV	David	N1YLN	Edward		Joel H.
KB1FEX	Ken	KC1TPN	Rick	N1YLO	Andrew		Lucas M.
KB1HAX	Bill	KC1TSG	Jim	N1ZN	Jim		Spencer R.
KB1IFZ	Elsie	KC1TSK	Richard	N2TAG	Dave		
KB1JL	Eric	KC1TSL	Charlie	N7VGA	Dennis		
KB1LWS	Jeanne	KC1TSM	Ellen	NA1L	Dale		
KB1MFU	John	KC1TSN	Chuck	NA2AA	David		
KB1TBL	Dave	KC1TSP	Dale	NN1DX	Robert		
KB1TGS	David	KC1TST	Mike	NR1B	Bill		
KB1TMC	Clare	KC1TST	Charles	NT1S	Tyler		
KB1TTV	Jonathan	KC1TSX	Mike	NZ1J	Dave		
KB1YFJ	Glenn	KC1TSY	Daniel	UT3UY	Anatoly		
KC1BQP	Paul	KC1TSZ	Deb	W1AJK	Andrew		
KC1CAB	Frank	KC1TTP	Jeff	W1BJG	Judy		
KC1DOY	Ted	KC1TWA	William	W1BRY	Donald		
KC1HFO	Johannis	KC1TYO	Ken	W1DQ	John		
KC1HQX	Preston	KC1UJP	Jason	W1EDX	Paul		
KC1IHK	Scott	KC1UJQ	Mark	W1IKW	Iain		
KC1ISI	Kristin	KC1UJT	Michael	W1LV	Steve		

WELCOMING THIS MONTH

KA1BMF - TOBIO CONSTANTINO
 KC1CAB - FRANK DITERLIZZI
 N1PQQ - GREG CARTIER
 JOEL HELFER

CLICK THE ICONS BELOW TO JOIN FOR THE MOST UP TO DATE IN CLUB ACTIVITIES



MARC EMAIL FORUM
MeridenARC@groups.io
MeridenARC+subscribe@groups.io