

# KEYKLIX



**MERIDEN AMATEUR RADIO CLUB**

**1947 - 2024**

**MARCH 2024**



OFFICIAL MAILING ADDRESS,  
MERIDEN AMATEUR RADIO CLUB, POB 583, MERIDEN CT 06450

[WWW.W1NRG.COM](http://WWW.W1NRG.COM)  
[Meriden Amateur Radio Club Group | Facebook](#)  
[MeridenARC@groups.io](mailto:MeridenARC@groups.io) | [Messages](#) [W1NRG Forum](#)

KEY KLIX EDITOR —DAVE SWEDOCK K1WJL DSWEDOCK@GMAIL.COM 203 235-8582



PRES W1YSM ED SNYDER VP KB1JL ERIC OLSSON  
SECT W1BJG JUDY WILKINS TRES KC1OYN RICK BECKER  
S.A.M. K1RCT ROB CICHON



ALL BUSINESS MEETINGS AND ACTIVITY MEETINGS WILL BE  
CONDUCTED ON ZOOM UNTIL FURTHER NOTICE..

THE SATURDAY MORNING SESSIONS ARE HOWEVER OPEN AT THE  
OEM ALONG WITH THE MONTHLY VE SESSIONS WHICH OCCUR ON  
THE SECOND SATURDAY OR EACH MONTH

**MARC March business meeting, Thursday Mar 14 on ZOOM only**  
**Zoom credentials for Business Meeting**  
**966 7099 0175 Password 157710**  
**Thursday Mar 14, 7pm ZOOM**

**MARC March 28 activity meeting, Thursday Mar 28 on ZOOM only**  
**Zoom credentials for Activity Meeting**  
**925 1153 2783 Password 000377**  
**Thursday Mar. 28, 7pm ZOOM**  
**ALL YOU WANTED TO KNOW ABOUT "DISCORD & MARC"**  
**BY KC1MJZ, KC1QHW & K1RCT**



## ROOKIE ROUND-UP

The Meriden Amateur Radio Club is very busy, with over 30 radio-related projects listed on its 2024 Activities page and with many of our 185 ham members participating in those activities. There is one area, however, where the Club could do better, and that relates to On Air activities. Some of our members feel that the Club's lack of On Air and also contesting activity presents a major problem. Contesting some believe, should be one of the primary activities of an amateur radio club and point to this not being a MARC club strength over the past at least 5 years. While not everyone agrees with this assessment, MARC admittedly does not presently have the strong core of contesting members that it once had. And for many, On Air activity is restricted to the weekly Nets. One related issue is that many of our newest members might not even own an HT radio.

Things, however, may be changing. While admittedly we are not as active or prominent in contesting or On Air activities as we have been in the past, many MARC members are now very active in POTA. Thanks to several club hams, this On Air activity has become very popular among MARC members. We also participate in Field Days and the 13 Colonies On Air event in July, just to name a few. Recently, it was suggested that we should consider actively participating in the ARRL On Air event known as the Rookie Round-Up (RR-U). A Rookie is defined as a Ham who has been licensed 3, or fewer, years. The purpose is to help Rookies get on the air and transmit. It is a short 6-hour event and will be held on April 21, 2024 (see attached flyer). Two club members approached me, and after a brief discussion they were appointed co-chairs of the RR-U event – Steve KC1QWH and Bart N1BRL. Steve and Bart will begin to plan the event following a blessing from our Station Activity Manager (S.A.M), Rob K1RCT, to allow use of the gear, and the approval of the Town for use of the OEM facility as coordinated by our Town Liaison Eric KB1JL.

The idea is to use club equipment at the OEM and by having a general or extra class licensed club ham present as a control operator. Technician class licensed hams can operate on the HF bands under the oversight of a licensed control operator who has access to the HF frequencies. Rookies with a technician class license thus, can learn how to participate in contests and On Air activities on the HF bands. This will hopefully start a new wave of interest, enthusiasm and mentoring by club members to get more MARC Hams (Rookie and Veteran) On Air. MARC has a large amount of gear at the OEM and the plan for the Rookie Round up is for newly licensed hams to sign up and participate using the club gear at the OEM. The Club has tried some passive actions several times in the past to help get newly licensed club members On Air -- such as the availability of loaner gear and opening the club station on Sundays. There hasn't however, been much member interest in these efforts.

So how do we get our new members active and On Air - and get them to experience more aspects of the hobby than simply using the repeater? Frankly, there is the proverbial "mike fright" hurdle and the uncertainty of the unknown when first working with a live radio. New members should see the RR-U as a rookie-friendly vehicle for our rookies to get on the air where they will be among their peers. Whether or not it is discussed, most rookies worry about making mistakes and looking foolish On Air. We view the RR-U as a low pressure event for our rookies to get on the air and learn how to operate on the HF bands. A kiddie pool for radio amateur rookies, so to speak. The fact that it is a contest is secondary. The event should stimulate some (hopefully many) newly licensed technician class hams, to study and sit for the General or Extra license. We already have confirmation from one rookie who feels that the RR-U would appeal to him as it presents a low pressure way to learn phone operation on the HF bands. That person expressed no interest in contesting but wanted to learn about the HF gear, operating technique, etiquette, etc.

We would hope that new technician hams would consider the RR-U as a low pressure chance to receive Club-mentored training. A chance to painlessly stub their electronic toe with their fellow rookies, while a seasoned Elmer stands right next to them to oversee and guide them. Getting engaged in On Air activities without pressure --THAT is the goal. Once they are used to being On Air, everything else such as upgrading and contesting may well follow. Yes, it's a contest but we want to minimize that aspect and promote the hope they will find the event low pressure, not embarrassing, and FUN!

There's a possibility that (we) Steven (KC1QWH) and Bart (N1BRL) will develop a short video of 10 - 15 minutes to give an example of what will happen during the RR-U to show members what they can expect. This hopefully, will increase Rookie confidence by making them aware of what they will need to know to ensure that they will not be confused during the event. MARC members will (literally) stand behind and support any Rookie wanting to make contacts. We hope that the new Rookies will want to participate going forward, in some of the many ON AIR activities coming up in 2024.

Amateur radio MUST continually make a strong case to the FCC that the amateur HF bands need to remain our designated frequencies. Constant use of these bands is a major way to convince the FCC that amateur radio should keep these frequencies. On Air radio amateur use will help ensure that these bands will not be sold to commercial interests that would love to have access to 6-80m and other frequencies currently reserved for amateur radio activities.

If you have any questions about the RR-U, and you want to get more information please see the flyer and contact Steve Reigel KC1QWH or Bart N1BRL. They are the two club members who will be in charge of this event. They soon will be publicizing the event and answering any questions you all may have. Veteran Hams who are not Rookies can also participate, but they will abide by slightly different rules. Only Rookies can use the Club OEM equipment for the event period. One can also operate from home. BUT, participating technician class licensed hams must have a general or extra class licensed ham present as a control operator to legally use the HF frequencies assigned to the higher license classes. . See Steve or Bart for details.

The 2024 season will have lots of On Air radio-activities, having a trial run like the RR-U, is an ideal way for new hams to get On Air and see how things work. Once your throw out your call sign and say CQ, you just never know who will come back to you. Remember, you're only a Rookie for a brief period of time - take advantage of it. We all wish you Good luck -- and we'll be right behind you!

Ed W1YSM, Steve KC1QWH, Bart N1BRL

**PAUL W1EDX PROUDLY EXHIBITS HIS 6000 POTA AWARD AND HIS FISH AND CORAL ALSO AGREE'S**





We welcome the following new members voted in at the February business meeting

- Steven Protz KC1NUX,
- Paul Patnoad KA1YZC
- Jordon Zarembo AB2T

We welcome the following who will be voted in at the March business meeting.

- KC1TSW Charles Caron III
- KC1TSN Charles Caron Jr
- KC1TSZ Deb Caron
- KC1TWA William Caron
- KA1JTG James Hartzell Jr
- no-callsign Michael Carfi
- no-callsign Mark Kirschner

At the January Business meeting, MARC treasurer, Rick KC1OYN, made a motion to increase dues to \$25 for all members (regular and senior) starting April 1, 2024 and add a \$2 processing fee for PayPal transactions. Discussion ensued. Motion was tabled. At February business meeting motion was Voted on and unanimously passed.

No change to youth membership, any member 18 and under, will be given free dues

Lifetime status is at the discretion of the officers

New members joining after June 30 are paid up through December 31 of the following year

Membership period is from January 1 through December 31

Current years dues must be paid by March 31st.

From now until March 31st 2024, membership dues are: Regular \$20, Senior \$15

Senior status is those who are 65 or older on the 1st day of the New Year

Any member can pay ahead for as many years as they wish, at current pricing, until 3/31

To pay your dues.

1. You can go to the club information page on our website...

[https://www.w1nrg.com/website/Club Information/Club Information.html](https://www.w1nrg.com/website/Club%20Information/Club%20Information.html)

*To pay via PayPal, there is a pull-down menu just above the yellow PayPal banner to select either Regular(\$20) or Senior(\$15) dues.*

2. You can also use MARC's PayPal direct link...

<https://paypal.me/MARCTreasurer>

3. If you prefer, you can mail a check to

MARC P.O. Box 583 Meriden CT 06450

4. If cash (or check) is easiest for you, I show up most Saturdays at the OEM (firehouse)

143 Hope Hill Road, Wallingford. If you see me there, or anywhere else, you can hand me cash or a check.

73

Rick Becker Treasurer

KC1OYN

# ACTIVITIES MANAGER BRIAN BEEGAN N1BRI

**MARCH 28 DISCORD & THE MARC BY KC1MJZ, KC1QHW & K1RCT**

**APRIL 25 Joe Murray N1LES W1NRG & Repeater Etiquette**

**MAY 23 Peter Smith N4ZR Reverse Beacon Networks**

---

**VE SESSIONS AT THE OEM, 143 HOPE HILL ROAD WALLINGFORD  
EVERY 2ND SATURDAY, NEXT ONE IS SATURDAY APRIL 13,, 2024**

---



**ARRL**  
The national association for  
**AMATEUR RADIO®**

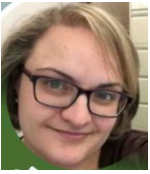
A thick yellow rope with a black outline, forming a large oval shape that loops around the text.

**2024 Amateur Radio Rookie Roundup**

Open to any Amateur first licensed  
in 2021, 2022, 2023 or 2024

**April 21st, 2024  
1pm to 7pm**

Questions: [N1BRL@arrl.net](mailto:N1BRL@arrl.net)  
or [KC1QWH@gmail.com](mailto:KC1QWH@gmail.com)



## Secretary Report & Minutes of the Meriden Amateur Radio Club

Judy Wilkins W1BJG Sect.

### BUSINESS MEETING FEBRUARY 8, 2024

The meeting was called to order by the President of the club Ed Snyder, W1YSM at 19:03 EDT.

Attendees via Zoom: AB1DQ, K0OZ, K1JCF, K1LHO, K1LYP, K1MAL, K1RCT\*, K1VDF, KA1YZC, KB1EHE, KB1IFZ, KB1ISO, KB1JL\*, KB1MFU, KC1DOY, KC1ISI, KC1NQE, KC1OCS, KC1OYN\*, KC1PEN, KC1QLS, KC1STF, KC1TSK, KC1TSX, KC2MLH, KE1AU, N1API, N1BRI, N1BRL, N1GNV, N1LES, N1ZN, NA1L, NR1B, W1BJG\*, W1BRY, W1DQ, W1EDX, W1IKW, W1YSM\*, WA1ZVY, WB1GFI, WB1GYZ, WV2LKM = Count 44 \*officer

**Announcements:** The radio room is available Sundays by appointment. The activities list is available from the club Secretary Judy at [W1BJG@proton.me](mailto:W1BJG@proton.me). While at club gatherings please wear a name badge. We are working on getting additional coffee cups and name badges. Quarterly town meetings are still in discussion and any suggestion of topics can be sent to W1YSM directly at [W1YSM@arrl.net](mailto:W1YSM@arrl.net). The 2024 Special Services award will be displaced in the case at the OEM. There is no President's column in the February's KeyKlix.

**Secretary's Report (Judy W1BJG):** Minutes approved for January. Steven Protz KC1NUX, Paul Patnod KA1YZC and Jordon Zarembo AB2T were all voted in as new members bringing our current membership to 184 members. There were also 2 returning members. Lions Club did reach back out with us. This needs to be discussed within the communications committee. Going forward members obtaining recognition for radio related tasks outside of the club will also be recognized within the club.

**Treasurer's Report (Rick KC1OYN):** The current Treasure's Report was read by KC1OYN. A copy of the report is always available to members in good standing from [treasurermarc@gmail.com](mailto:treasurermarc@gmail.com). There are 3 club members who have outstanding checks that need to be cashed. A big thank you was given to all the members who have already paid their dues for 2024. There are currently 42 out of 184 members that do need to pay their dues for 2024. Many donations were made in January by: WJ1B, KC1STM, K1DMS, KB1LWS, K1LYP, KC1PYT, K1PYT, K1BDF, KC1NRD. Still looking for a club member who can review and advise about the club's holdings such as the mutual funds. **Motion to increase dues to \$25 starting April 1, 2024 and a \$2 processing fee for PayPal transactions was voted on and PASSED.** KC1OYN is working with Stan to get insurance quotes. Still looking for the report from the repeater committee on the status of the repeater, equipment and all the components including the age of before mentioned. Asking that the report get sent out to all of the officers. A secondary discussion was brought up in regards to just how much equipment is own by the club or the town. A question of pre-paying dues before the rate increase goes into effect was brought up. Yes, you can prepay as many years in advance as you would like prior to April 1, 2024.

**Station Activity Manager's Report (Rob K1RCT):** A full SAM Report is available to any member in good standing from [r.chicon@cox.net](mailto:r.chicon@cox.net) Winter field day logged 36 QSO, 10-10 Winter Party QSO 137 contacts. SAM spent \$53 of an allocated \$499 for hardware; this addition should be able to complete establishing VERA FM or WinLink on a FM station at the OEM. \$40 was spent for additional odds and ends needed of POTA support your parks weekend. Weekly Nets: 2m averages 7-10 check-ins, 6m averages 7-10 check-ins, 10m Tues averages 6-8 check-ins, Saturday morning Coffee Cup net on 2m net averages 20-31 check-ins.

#### Standing Committees

**Entertainment/Activities (Brian N1BRI):** February was Kurt Zoglmann aka The Morse Code Ninja. In March will be about the function of the club discord server. Booked out through June. May activities meeting is usually set aside for Field day.

**Technical/Interference (John K1VDF):** No issues.

**Repeater (Mike Ash K1LHO):** No issues. **NEW BUSINESS (KB1JL):** Motion to purchase a Dual Band/ Dual Mode Repeater for ~\$900.00 from Fusion/Yaesu discussed and tabled to enable a vote on expense next month. The old repeater would be held in reserve.

**Scholarship (Jim N1ZN & Kristin KC1ISI):** Applications and instructions were updated to reflect the new date of April 12<sup>th</sup>.

**Communications and Community Outreach (Kristine KC1ISI):** An in-depth report is available from [kc1isi@protonmail.com](mailto:kc1isi@protonmail.com). Facebook has ~214 members and Discord ~70 members. The website is about 90% built out. Go live for the website is looking to be sometime in April. There are ongoing discussions about the reflector operation.

**WARG/EMMCOM (Eric KB1JL):** Ceiling renovations should not interfere with our activities. Another CERT class will be offered in the fall. Lenny has asked for CERT and MARC to assist with Gaylord Gauntlet 5K race in Wallingford in June.

**Welcome and Membership Integration (Bart N1BRL, James AB1DQ):** There are 2 packets. New Ham packets and a new member packets.

CONTINUED ON NEXT PAGE

**CW Code Class (Bob WB1GYZ):** 2 new members joined since last month. The class is open to new people and has a small group that meets nightly at 7:15pm Zoom Conf ID 83594942316 PW 569899

**Contesting (Mike K1LHO):** This weekend is the SKCC Century Club contest CW straight key.

**Club Nets:** reported in Station Manager report

**Castle Craig 10-10 (AI N1API):** Contest is this weekend. If you need further information email N1API

**Key Klix (Dave K1WJL):** Nothing new. Formatting of the membership list still needs work.

**VE Session:**

**Other Discussions:**

**VE Sessions (Jim N1ZN):** are held on the 2<sup>nd</sup> Saturday of the month. 5 inquiries for the next session. 2 people mentioned that they didn't see the VE Session on w1nrg.com

**Tech/Gen Classes:** Spring General class license session to be held at the OEM. Fall technician class to be coordinated with Wallingford Parks & Rec.

**MARCONI (Ed W1YSM):** are still on going. Phil Temple is working on a grant and asking for our assistance.

**Nutmeg Hamfest (Ed W1YSM):** Directors: WB1GFI, W1YSM, K1LYP and KC1OYN as the treasurer. The constitution will have some adjustment made to it. As far as locations: Sheehan HS is not available to us. The Oakdale rotunda is not cost effective. Cheshire HS, North Haven Fairgrounds and Wilcox Tech will be looked at next. The dates have been set for October 13<sup>th</sup> and 14<sup>th</sup>. A grant money will be looked at for speakers. NA1L and KC1OYN are working on tax filings.

**Other notes:** Ed is looking into evaluating committee chairs retire some, retain some, replace some, the idea is to choice some new leaders to spread some opportunities so other may participate.

**New Librarian:** Mike – KC1MJZ will be the new club librarian.

Meeting was adjourned 8:33pm

## N1API REPORTS THE RESULTS OF THE 10-10 WINTER QSO PARTY

The results for the 2024 Winter 10-10 Phone QSO Party have been posted. Below are the 1st Call Area and Chapter results. The PDF with the full results can be found in the Castle Craig Section of the [W1NRRG Forum](#). They can also be found on the 10-10 web page under the Activities Tab. Thanks to those who participated and sent in their logs for The Castle Craig Chapter of 10-10.

-73- AI N1API

CM / CH Castle Craig Chapter of 10-10

Call Area 1

Call	10-10#	CTX W	CTX WO	TOTAL
<b>N1API</b>	<b>25468</b>	<b>76</b>	<b>61</b>	<b>213</b>
N1ROZ	78255	36	20	92
<b>N1ZN</b>	<b>73599</b>	<b>33</b>	<b>16</b>	<b>82</b>
<b>N1BRL</b>	<b>77655</b>	<b>11</b>	<b>1</b>	<b>23</b>
AI1G	77223	7	1	15
N1RLR	76619	4	0	8

Chapter Entries

CHAPTER	LOGS	PTS
HOUSTON SHOT	3	1718
CATT	2	871
POSSUM TROT	9	728
<b>CASTLE CRAIG</b>	<b>3</b>	<b>508</b>
LONESTAR	2	503
STEAMBOAT	7	394
GATEWAY	4	184
CITY OF LIGHTS	2	133
NEANDERTHAL	5	120
ARIZONA DESERT	1	66
TANGO	1	60
CHIEF SEATTLE	1	39
OREGON TRAIL	1	27
NM MUD DUCKS	1	18



## KC1MJZ WITH PART III OF HIS SERIES

Hello again Reader,

First, I want to say thank you all for your confidence in me. As the incoming club Librarian, I will strive to make the MARC library collection a useful and easily accessible resource. Please let me know if you have any ideas, wants or needs concerning the club's library.

In this last part of my article series I want to briefly highlight some of my memorable contacts in order to show you the rewards that await. By sharing my experience here, I encourage you to conquer your own mic-fright. I will share one last trick I used in order to screw up the courage to check into a club net on the repeater. Week after week I would check in after Iain W1IKW because his accent was so noticeable and a pleasure to listen to. When I heard him turn it back to net control I knew my turn was next. With my issues surrounding memory and recall I found this a reliable means of ensuring I knew my place in the check-in order. This might be why round-robin nets throw me for a loop still. Looking through my station log I see that as a new Tech I was all over the 10m band. The technician slice of the 10m band is by far my favorite of all the ham bands I now have privileges on. I got my first sideband HF contact there and have made many memorable QSOs since. I have been able to explore the world from my shack on 10 meters. I have indeed visited all of the UK (England, Wales, Scotland and Ireland) on 10 and I want to say that I enjoy the way hams from the United Kingdom operate. I like to think I have picked up some good operating habits from the good examples they have set for me. I have made multiple contacts in France, Germany, Poland, Spain and Italy and learned something new about all of those countries during the contact. But my longest contact, and the one I am most proud of, was with only 10 watts on 28.384 with a ham in Remeteszölös, Hungary. He was astounded that I was QRP. The ionosphere was certainly cooperating with me that day. I got lucky in the timing of when I passed the Tech test as 2019 was near the beginning of the upswing of solar cycle #25 and each year propagation has gotten better. I didn't know about solar weather or the sun cycle when I passed that first exam but I have learned through experience on the air. All that learning happened after I beat mic-fright. If I can do it, so can you.

Once I passed the General exam I found myself involved much more in Parks On The Air. I encourage you to try it if you haven't yet. POTA gives me an excuse to go out to state parks and enjoy some fresh air and sunshine if nothing else. It never feels like a waste of a day.

From home, as a POTA hunter, I have made QSOs with over 100 different parks ranging in location from the lower 48 states, Dominican Republic, Martinique, Puerto Rico, the Mediterranean coast of Spain as well as to a park in Austria. One MARC member in particular, Paul W1EDX, inspires me to strive for numbers more inline with the gargantuan figures he reports during the nets where we both participate. So I guess I have a bunch more POTAing to do in the future. As an activator out in a park, I have gotten my longest contact within the USA, Alaska. This particular contact was exciting for me because I had only heard Alaska on 11m before I became a ham. I knew back then that it was on my ham bucket list to make contact with the most northern state in the union. As with most the contacts in my log, I made this one on low power. QRP POTA is hard mode and I enjoy the challenge. The excitement I felt from that contact still resonates in my memory even as I write this.

Each of these contacts stands out in my memory because of the distance involved or because of some other unique attribute. Each feels like a personal accomplishment to me. All I had to do was take my radio out to a park, key up the mic and call CQ. POTA got me calling CQ more often which built my confidence on the air. I admit that at first calling CQ seemed terrifying much in the same way as my earlier mic-fright. Once I got over that fear, it became a powerful tool in my ham toolbox though calling CQ on less than 10 w can be painful if the ionosphere isn't cooperating. It's the challenge in this and the food for thought it creates that keeps bringing me back. My ham bucket list keeps getting longer as I encounter new things I wish to comprehend. I know I will never stop learning as a ham. I know I will always keep growing my skill-sets thanks to the expansive nature of this hobby and due to the expertise that exists within MARC that gets shared around. If you have stepped up to be a presenter in the past I want to thank you for sharing your knowledge and for having the courage to stand and deliver in front of an audience.

Lastly, I would encourage you to attend this month's activity meeting where I and a few other club members will be presenting on the topic of Discord, a social media application with features that I believe can inform our members faster, foster our club's growth and increase the opportunities for club members to coordinate with each other on future activities. Like this series of articles, I intend that presentation to be an open door and an invitation for those who are apprehensive about trying something new. Just like mic-fight, I found the fear of something new, be that a first activation attempt, first time calling CQ on my own or trying a new mode/band, to all be conquered easily enough. I have routinely found that once I had pushed through my fear, what I had been afraid of seemed to not be so intimidating. Each time I've done so has been rewarding as a whole new aspect of ham radio has opened up to me.

I hope the information I shared throughout these articles has been useful to you. Or, at least reading these articles has helped you remember what it was like when you were new to the hobby. I hope I've sparked you to give your station log a look-through and maybe take a walk down memory lane about the contacts you are proud of having made and what made them unique. I also hope that my self-introduction through these articles has helped you to feel like you know me a bit better. Don't be afraid to push that PTT and check-in to a club net when you hear me as a net control in the future and I'll hope to see your callsign further down my station log.

73 and thanks for reading,

From the desk of KC1MJZ Mike Berube M.L.I.S. [michael.berube@yahoo.com](mailto:michael.berube@yahoo.com)  
(email me for an invite link to the club Discord server)



# MARC BEST PRACTICES

## Scope

This Best Practices attempts to regulate the use of the [members@w1nrg.com](mailto:members@w1nrg.com) email system for mass email. It applies to all registered users of [members@w1nrg.com](mailto:members@w1nrg.com) electronic mail system.

## Status

This Best Practices has been reviewed & accepted by the Meriden ARC Website Committee and reviewed & accepted by the Officers of the Meriden ARC.

## Best Practice

Senders must understand that our Reflector is for Club Related Announcements, Business, Activities, etc. For other dissemination, use should be made of Web based facilities such as our Website, Forum, Facebook/ Messenger, Instagram, personally addressed email. Senders of mass emails should observe the simple consideration and courtesy Radio Amateurs exemplify. To repeat, the use of mass email should be confined to official Meriden ARC business, activities, announcements, and Amateur Radio subject matter. Email users should reply off-line (directly to the Sender or a sub-group) when possible. *In-line (mass email) replies are often not necessary and tend to clutter inboxes.*

### Mass emails should not be sent

1. More than once;
2. For any commercial purpose not related to Club Business;
3. For any personal advocacy purpose;
4. To publicize social, sporting or artistic events which are not Amateur Radio related.

### In addition mass emails

1. Must not contain foul or derogatory language.
2. Must be of Meriden Amateur Radio Club or Amateur Radio related announcement, business or activity.
3. Should never contain large attachments or embedded images. In most cases a simple text message should suffice with a link to a web site storing the attachment can be used where appropriate. Exceptions to this would be newsletters, NWS documents which are primarily Adobe .pdf types.
4. Should always contain related content in the subject line (no blank subject line).

Amateur Radio; The Original Cell Phone.

-- 73!

de Rob, K1RCT





# MERIDEN AMATEUR RADIO CLUB/W1NRG CLUB ACTIVITIES

WWW.W1NRG.COM



DAY	TIME (ET)	BAND	FREQ (MHz)	NCS	NAME	TYPE	WHEN
MONDAY	2000 – 2100	6M	50.175	N1ZN - JIM	6M NET	OPEN DISCUSSION	MONDAY
TUESDAY	1900 -2000	2M REPEATER	147.36 PL=162.2	KC1NQE/KC1MJZ	2M NET	OPEN DISCUSSION	TUESDAY
	2000 – 2100	10M	28.375	N1API - AL	CASTLE CRAIG 10-10 INTL.	OPEN DISCUSSION	TUESDAY
WEDNESDAY	-	-	-	-	-	-	WEDNESDAY
THURSDAY	1900 – 2030	-	ZOOM	W1YSM – ED	MARC BUSINESS MTG	BUSINESS MEETING	2 <sup>ND</sup> THURSDAY
	1900 – 2030	ZOOM	*ID: 925 1153 2783 *Passcode: 000377	N1BRI – BRIAN	MARC ACTIVITIES MTG	TECHNICAL/ LECTURE	4 <sup>TH</sup> THURSDAY
FRIDAY	-	-	-	-	-	-	-
SATURDAY	0900 – 1000	2M REPEATER	147.36 PL=162.2	W1YSM – ED	COFFEE CUP NET	OPEN DISCUSSION	SATURDAY
	0830 - 1200	Hope Hill Rd	143	MARC	OPEN HOUSE	EVERYONE WELCOME	SATURDAY
	VARIABLE	VARIABLE	VARIABLE		POTA/SOTA/OTA's	Activations	SATURDAY
SUNDAY	1930 – 2030	ZOOM	*ID: 932 5667 9514 *Passcode: 686029	OPEN	ELMER'S SHACK	NEW HAM SUPPORT	SUNDAY
	~ 0930 – 1130	2M	MULTIPLE 2M	K1RCT- NZ1J	FIAB (FOX IN A BOX)	HIDDEN Tx Hunt	SUNDAY
DAILY	19:30 – 20:30	ID 835 9494 2316	Passcode 569899	WB1GYZ - BOB	CW CLASS	LEARN CW	DAILY

\* values subject to change, see <http://www.w1nrg.com/website/index.html> for current values

11/14/23 Rev 14

## **Build a Battery Go-Box with All the Bells and Whistles by Ray Irwin WA1FFT**

A commercial Go-Box with a Lithium 10 Amp Hour battery, various terminals and LED lights goes for over \$200. With a Lithium battery, those Go-Boxes are light, but don't have an Anderson Power Pole. So, with three ARES radio Go-Boxes, I needed two more without spending a lot for battery Go-Box with a little more ampere hour capacity. So, I decided to build another two. I used sealed lead acid (SLA) batteries, two Cabela's ammo dry boxes and a lot of parts from Amazon. I had many of the tools and parts from other amateur build projects so I gave it a go. My final design could select either batter A or B, with an associated red or blue led on light. All the holes and electrical hardware could also take a light rain. Anderson Power Pole hardware was used extensively for almost all the connections. For the soldered LED wires, I used marine heat shrink with integral adhesive.

**Drilling Holes:** The USB outlet, dual Anderson Power Pole and the Voltage meter were all drilled with a 1.25-inch circular saw. The lighting SPST light switch's hole is 0.75 inches plus a little work with a rat tail file. The DPDT switch uses a 0.5-inch hole. Two small holes were made for the 6 lug power pole bolts, mounted inside the dry box. The three LED holes were 3/8 inch. All the drilling, except for the three LEDs, was done from the inside so I could avoid drilling on vertical cover structure.

**Tools and Wiring:** I'm assuming you have a drill with bits plus a soldering iron/solder and a crimper for the connectors. The big-ticket items are the crimper for the batteries, Power Poles, the 6 terminal power plug strip and Red/Black low voltage #16/2 and #14/2 AWG wire. I also used #12/2 from the batteries to the A/B switch and to the power pole strip, baters choice. The voltage meter, USB outlet and the LED light switch got direct runs #16/2 from the power strip. The DPDT is a center OFF, so the power strip has no power until a battery is selected. The SPST rocker turns on the three LED lights and #14 AWG everywhere else. For the positive battery lug, in inserted a 12 AWG inline fuse holder, using mating insulated crimp connectors, that have clear heat shrinkable plastic. Heat shrink Wire Connectors are used to connect eyelets to the screws on the DPDT switch. Red and blue LEDs (not shown below) that have very thin R/B leads were soldered to 3-inch piece of #16 and covered with heat shrink. Several low current ground connections were needed, such as the Red/Blue LED's ground connection. I used black #16 to make multiple short leads that were crimped into one of the voltmeter's negative power pole connectors. I cut off the eyelets that were on the charger and installed power pole connectors for easy charging. The ultra bright LEDs come 12 to a pack, so your choice on how many to use. Heat shrink was put over the soldered connections. Four-inch tie wraps were used placed to remove strain on the thin LED wires, place around the heat shrink and more sturdy wires.

**Parts List: Amazon parts, except for the Cabela's Dry Box.**

12V USB Outlet Wire USB Charger Multi Port, Dual PD3.0 USB-C and Quick Charge3.0 Car USB

Powerwerx PanelPole2, Panel Mount Housing for Two Anderson Powerpole Connectors with a Weather Tight Cover

CARLITS Eagle Eye Led, 10Pack-White Light-Ultra thin Daytime Running Lights DRL Tail Lights Bulbs 12V Fog Light Tail Backup Light Marker DIY for Car Motor Motorcycle

MCIGICM 12 AWG Inline Fuse Holder with 30A ATC/ATO Blade Fuse, 5 Pack

Twidex/5Pcs 12V Round Rocker Switch AC 6A/250V 10A/125V SPST 2 Pin 2 Position On/Off Toggle Switch for Car Boat Automotive RV Black with Wires KCD1-5-101-ON-OFF-CX

Three roles of 100 FT wire, one 16/2, a 14/2 and a 12/2 Gauge Red Black Cable Hookup Wire

Kuject 320 PCS Heat Shrink Wire Connectors, Multipurpose Waterproof Electrical Wire Terminals kit, Insulated Crimp Connectors Ring Fork Spade Butt Splices for Automotive Marine Boat Truck

Chunzehui F-1011 6-Position 45A Power Pole Distribution Block Module, about \$40.

You will also need to buy 30-amp power poles, about \$35.

CNAODUN Waterproof Toggle Switch ON-Off-ON 12VDC

DaierTek Voltmeter Gauge, 12 Volt 24 Volt 36 Volt Digital Voltage Meter

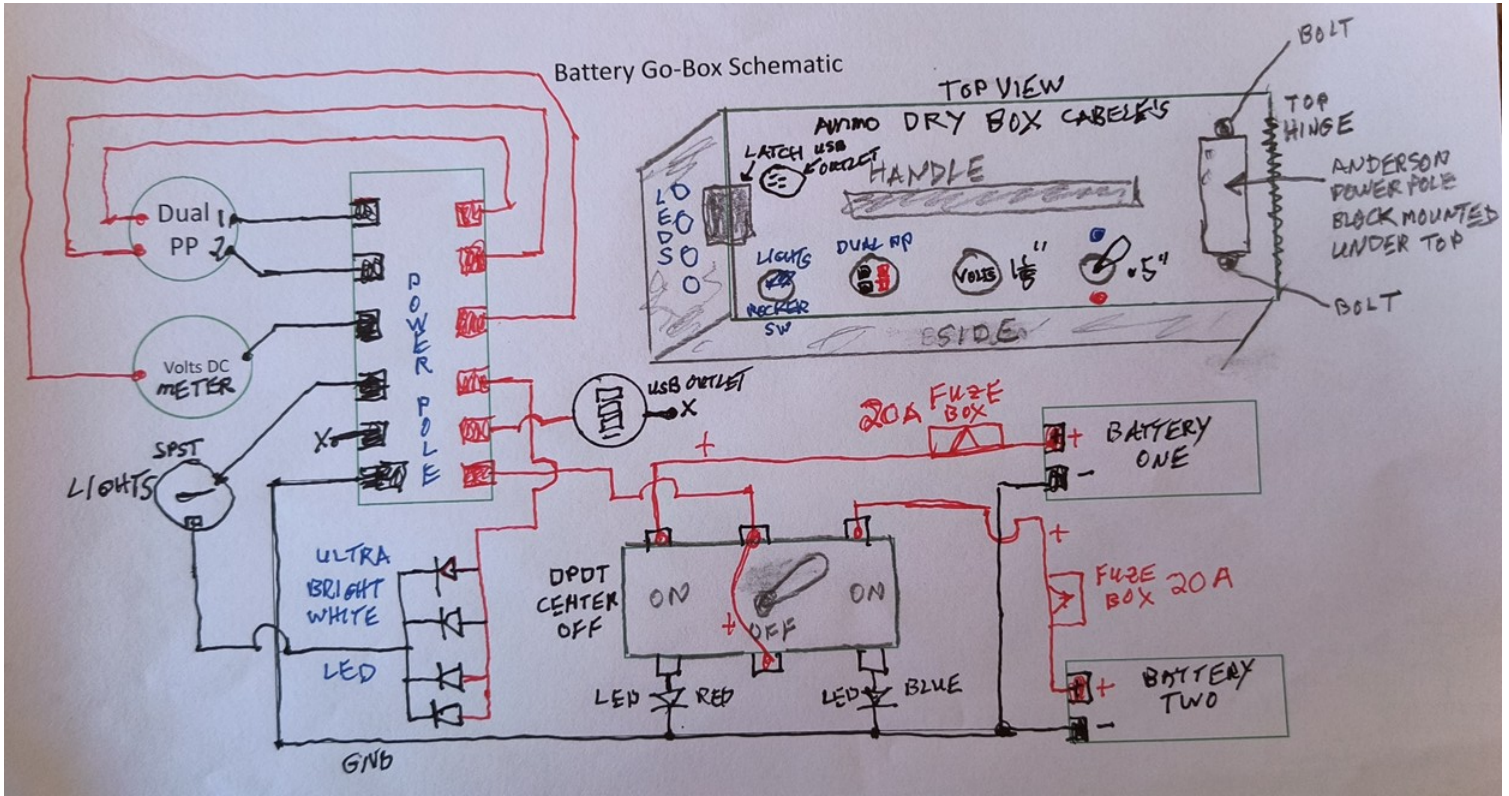
LST 12V Battery Trickle Charger Smart Float Charger for SLA

Cabel's ammo Dry Box: 767 cubic inch capacity. 15.75"L x 8"W x 10"H. Made in USA.

4 inch Tie Wraps

CONTINUED ON NEXT PAGE

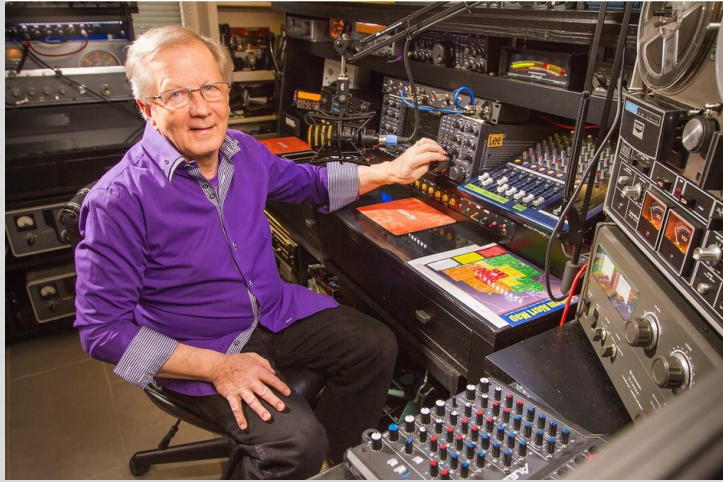




The Southeastern Connecticut Amateur Radio Society (SECARS) will be hosting its annual Spring Auction on Saturday, April 13, 2024 at Our Lady of Lourdes Parish Hall - 1650 CT Route 12, Gales Ferry, CT. Setup will begin at 7 AM. Sellers are welcome to bring gear for sale beginning at 8 AM. Buyers are welcome to view gear for sale beginning at 9 AM. The live auction will begin at 10 AM. We will have raffle prizes consisting of gift certificates from the ARRL and from DX Engineering. This is a great event for those looking to refresh their station or just to browse and learn more about different aspects of the hobby. We look forward to seeing you there! For more information, [please visit this link](#).

## IN MEMORIAM DR. BOB HEIL K9EID

Bob Heil gave a zoom presentation to the MARC that was one of the most memorable in recent history.



The man who defined the sound of live rock 'n' roll music and brought audio engineering principals into mainstream amateur radio use, Dr. Bob Heil, K9EID, has passed away at the age of 83. He was an ARRL Life Member and in the ARRL Maxim Society. A Facebook post from Heil Ham Radio paid tribute to their founder: "Bob fought a valiant, yearlong battle with cancer, and passed peacefully surrounded by his family."

Heil founded Heil Sound in 1966, through which he created the template for modern concert sound systems for musicians like the Grateful Dead, The Who, Joe Walsh, and Peter Frampton. The talk box used on iconic live record *Frampton Comes Alive!* was of Heil's design. His audio engineering products have been featured in the Rock & Roll Hall of Fame, and he was honored in 2007 with the Parnelli Audio Innovator Award for his impact on the live sound industry. "My life has been about achieving great sound, whether on the concert stage or in the amateur radio world," Bob Heil [recounted in 2022](#). "I've watched Heil Sound go from a regional sound company to a world-class microphone manufacturer. This company has been my passion," he said.

Parallel to his commercial and artistic success in live music, was his passion for amateur radio. He was active in ham radio from a young age and merged his expertise in audio engineering with his love for radio. Heil Ham Radio was founded to produce microphones, headsets, and other gear for radio amateurs with an emphasis on high-quality audio.

Heil was known as a mentor who enjoyed helping others find success in ham radio. Recently, his grandson Charlie Hartley, KF0OOP, became a licensed ham to surprise Heil for his birthday. [The pair attended the ARRL Midwest Convention/Winterfest](#) in St. Louis, Missouri, on January 27, 2024.

Heil was a generous donor to amateur radio organizations, including ARRL. Recently, [he donated a host of new audio gear](#) to the Hiram Percy Maxim Memorial Station, W1AW.

His generosity and kind nature will be missed by many, including ARRL Director of Development Kevin Beal, K8EAL. "Bob was a titan in many areas. He was generous with his time, offered keen insights, and had the heart of a philanthropist in the ARRL Maxim Society," Beal said. "He was a gentleman to his core, making friends easily and everywhere he went, from rock stars to captains of industry. I consider it a real privilege to have become a friend to him, too, all because of amateur radio."

Heil was known for his passion for AM operations. He served for many years as an on-camera host of the Ham Nation podcast. Tributes to Heil have been flooding social media, including from his co-hosts. ARRL President Rick Roderick, K5UR, said Heil's passing is a significant loss. "Bob Heil's technical achievements that brought high-quality audio to amateur radio pale in comparison to his generosity and willingness to help his fellow ham. He's long been known as someone eager to help mentor and teach. His legacy on our hobby will be long-" sting. Our thoughts are with his loved ones."

This article was reprinted from the ARRL March QST



# MARC ROSTER MARCH 2024

AA1EM	Kas Bogusz 24 S	KC1PYT	Jeff Gazso 24 R	NA2AA	David Minster 24 R
AB1DQ	James Surprenant 26 R	KC1QHO	Mike Beaudry 24 R	NN1DX	Robert Munro 24 R
AB1HB	Charlie Dudac 24 S	KC1QLS	Ray Cirno 25 S	NR1B	Bill Huggins 24 S
AB2T	Jordan Zarembo 24 R	KC1QQV	Gary Getrost 23 R	NT1S	Tyler Schroder 24 R
K0OZ	Brian Boccuzzi 24 S	KC1QWH	Steve Rygiel 25 R	NZ1J	Dave Tipping 24 R
K1BTR	Bryan Ragaini 25 R	KC1RBY	Sergio Frutuosa 24 R	UT3UY	Anatoly Kirilenko 24 R
K1DMS	Dave Sack 24 S	KC1RHB	Jared Martin 23 R	W1AJK	Andrew Kazimer 24 R
K1JCF	Joe Farrell 25 S	KC1RLQ	Eric Barbour 25 R	W1BJG	Judy Wilkins 24 R
K1LHO	Mike Ash 26 S	KC1SA	Stephen Allen 24 S	W1BOB	Bob Lobley 23 R
K1LYP	John Yusza 27 S	KC1SDA	Richard McHugh 24 S	W1BRY	Donald Chepurna 27 S
K1MAL	Chris Altieri 25 R	KC1SLV	Joshua Wrinn 24 R	W1DQ	John Elengo 24 S
K1MMK	Michael MacKennedy 27 R	KC1STF	Julian LoRusso 25 S	W1EDX	Paul Stasieluk 24 S
K1NEG	Nelson Goewey 25 R	KC1TAD	Tom Dipinto 24 R	W1IKW	Iain K White 24 R
K1PET	Debbie Purchia 24 R	KC1TCO	Dee Crombleholme 24 R	W1LV	Steve Morley 24 S
K1RCT	Rob Cichon 25 R	KC1TEV	Mark White 24 R	W1NDT	Robert Lombardo 25 S
K1SCI	Stuart Isaac 24 R	KC1THU	Mike Zelladonis 25 R	W1POP	Fred Liedke 23 S
K1SMD	Silas Moeckel 24 R	KC1TKY	Bob Hourigan 25 S	W1PRK	James Procaccini 24 S
K1STM	Anne West 24 S	KC1TKZ	Mark Bonitatebus 25 R	W1RCI	Ron Isaac Jr. 24 R
K1TDO	Todd Olsen 24 R	KC1TOV	David Tomlinson 25 R	W1TK	Ron Wakefield 24 R
K1TGX	Jerry Molaver 25 S	KC1TPN	Rick Foster 24 S	W1UFO	Mike Cei 24 R
K1VDF	John Blevins 24 S	KC1TSG	Jim Drexler 24 S	W1UKX	Greg Gherardi 24 S
K1WJL	Dave Swedock 24 S	KC1TSK	Richard Pagano 24 R	W1YSM	Ed Snyder 24 R
K4AVM	Andrew Olsson 25 R	KC1TSL	Charlie Vossbrinck 25 R	W2OFR	Mark Dickson 23 R
K5ATA	Steve Goodgame 24 R	KC1TSM	Ellen Cosgrove 24 R	W3APC	James Cook 24 S
K5CYN	Cyndi Goodgame 24 R	KC1TSN	Charles Caron Jr. 24 R	WA1BAR	Michael Barr 24 R
KA1BED	Bill Green 25 R	KC1TSP	Dale Fortin 24 R	WA1CJA	Matt Mowerson 24 R
KA1JTG	James Hartzell Jr 24 R	KC1TST	Mike Boccuzzi 24 R	WA1EXA	Mark Petruzzi 23 S
KA1KJV	Bob Trussell 24 S	KC1TSW	Charles Caron III 24 R	WA1FFT	Ray Irwin 24 S
KA1YZC	Paul Patnoad 24 R	KC1TSX	Mike Barile 24 R	WA1JKR	John Rogus 24 S
KB1APO	Jim Sintay 25 R	KC1TSY	Daniel Gessner 24 R	WA1K	Jack Chapman 24 R
KB1EHE	Eric Knight 24 R	KC1TSZ	Deb Caron 24 R	WA1MAC	Paul Clark 24 S
KB1FEX	Ken Jalbert 24 R	KC1TTP	Jeff Lawrence 24 R	WA1RAB	Bob Bartha 23 S
KB1HAX	Bill Reyor III 26 R	KC1TWA	William Caron 24 R	WA1SFH	Douglas Sharafanowich 24 S
KB1IFZ	Elsie Mathews 24 R	KC1TYO	Ken Williams 24 S	WA1TRY	Rich Aubin L L
KB1ISO	Dennis Hanlon 24 S	KC2MLH	Adam Castracane 24 R	WA1WDN	Bob Marinoff 24 S
KB1JL	Eric Olsson 24 S	KC3UKG	Storm Murrell 23 R	WA1ZVY	Jim Martin 28 S
KB1LWS	Jeanne Gherardi 24 S	KDOB MW	Marty Crandall-Grela 24 R	WB1CLT	Steve Duess 23 S
KB1MFU	John Ramadei 24 R	KE1AU	Bob Kaczor 26 S	WB1DMK	William D'Agostino 25 R
KB1PZS	Robert DelGreco 23 R	KJ7HXE	Chuck Chatfield 25 S	WB1DQT	Bill Bacon 24 S
KB1TBL	Dave Laliberte 23 R	KK7NLS	John Condon Jr 24 R	WB1GFI	Stan Hiriak 24 S
KB1TGS	David Robinson 24 R	KO1J	Randy Whitehouse 24 S	WB1GYZ	Bob Biancur 24 S
KB1TMC	Clare O'Lena 23 R	KO4EEL	Tom Williams 23 S	WB8IMY	Steve Ford 25 R
KB1TTV	Jonathan Martin 26 R	KR1U	Bob Eslinger 24 S	WJ1B	Harold Kramer 25 S
KB1YFJ	Glenn Couture 24 R	KS1WK	Seth Kolasinski 24 R	WV2LKM	Steve Waldmann 24 S
KC1BQP	Paul St.Amand 25 R	KX1USA	Rob Messercola 24 R	WX1W	Mary Duval 24 S
KC1DOY	Ted Renzoni 27 S	NOHIO	David Koerner 23 R		Spencer Rygiel Y Y
KC1HFO	Johannis Stodis 25 S	N1AKN	Jeff Dwyer 24 S		Dave Devito 23 S
KC1HQX	Preston Byrne 23 R	N1API	Al Kaiser 27 S		Lucas Molloy Y Y
KC1IHK	Scott Mowerson 24 R	N1BRI	Brian Beegan 25 R		Mark Kirschner 24 R
KC1ISI	Kristin Olsson 24 R	N1BRL	Bart Toftness 25 S		Michael Cossu 24 R
KC1KQH	John Kasinskas 24 S	N1FNE	Rod Lane 25 S		Michael Carfi 24 R
KC1MJZ	Michael Berube 24 R	N1GNV	John Bartscherer 24 S		
KC1NQE	Shawn Warren 25 R	N1GY	Geoff Haines 25 S		
KC1NRD	John Lujick 25 S	N1IBE	Wade Martell 24 S		
KC1NUX	Steven Protz 24 S	N1JEO	Joel Curneal 24 S		
KC1NXP	Andy Paolillo 23 R	N1JMX	Jeff Martin 28 R		
KC1OCF	Karl Polak 24 S	N1JRC	John Collin Jr. 24 R		
KC1OCS	Richard Dewick 25 S	N1LES	Joe Murray 24 S		
KC1OGL	Paul Randazzo 25 S	N1NGV	Kevin Gallagher 24 S		
KC1OWD	Kevin Van Keuron 24 R	N1OKF	Bob Parisi 24 R		
KC1OYN	Rick Becker 24 R	N1OKR	Frank Ciccone 25 S		
KC1PBQ	Randy Rivest 23 R	N1XXU	Andy Purchia 24 R		
KC1PEN	David Henry 24 R	N1YLN	Edward O'Lena 23 R		
KC1PHK	Lincoln Nichols Y Y	N1YLO	Andrew Fiertek 24 R		
KC1PSM	Elizabeth VanNostrand 23 R	N1ZN	Jim Savage 24 S		
KC1PU	Bob Woodtke Jr. 24 R	N2TAG	Dave Taglianetti 24 R		
KC1PXX	Dave Alfredson 24 R	NA1L	Dale Clift 24 R		