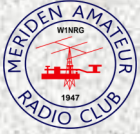


KEY KLIX



MERIDEN AMATEUR RADIO CLUB



1947 - 2018

**OFFICIAL MAILING ADDRESS, MERIDEN AMATEUR RADIO CLUB, POB 583, MERIDEN CT 06450
PRES W1KKF BILL WAWRZENIAK VP N1API AL KAISER SECT KC1SA STEVE ALLEN
TRES K1WJL DAVE SWEDOCK S.A.M. K1RCT ROB CICHON**

**KEY KLIX EDITOR —DAVE SWEDOCK K1WJL
DSWEDOCK@GMAIL.COM 203 235-8582**

**ALL MEETINGS ARE AT THE EOC / HOPE HILL FIREHOUSE ,143
HOPE HILL ROAD, WALLINGFORD**

NUTMEG HAMFEST

SUNDAY OCTOBER 21ST

8:00AM -- 2:00PM

SHERATON FOUR-POINTS INN

275 RESEARCH PARKWAY, MERIDEN CT





ACTIVITY NIGHTS & EVENTS,

2018

October — ECHOLINK & IRLP Mike K1LHO
November— Cancelled for Turkey Day
December— Christmas Party @ Serafino's James AB1DQ
Amateur Radio in Pop Culture

Election of Officers for 2019

The MARC will elect Officers for the 2019 term at the annual meeting on November 8. The following Officers will be seeking re-election, Bill W1KKF President, Al N1API Vice President, Dave K1WJL Tres. And Rob K1RCT Station Activities Manager. Steve KC1SA has withdrawn his name for consideration as Sect. due to conflicts with his business schedule. We all Thank Steve for his service these past years... Dave Tipping NZ1J has expressed an interest and his name will nominated for the Sect . Position.

We will accept nominations from the floor at that meeting. However we must conduct confirmation hearings, tolerate endless tweets from President Bill, receive free BEER from all candidates who" LIKE BEER", have the FBI (Frequency of Beer Intoxication) conduct a background check and the actual elections will take place at 3am in the shed behind the firehouse (but we cant disclose which "firehouse" at this time).

Business Meeting Thursday Oct 11 at the EOC 7:30pm

Thursday October 11th at the EOC will be the last meeting before our annual Nutmeg Hamfest..

Nutmeg Hamfest Sunday October 21st

Hard to believe that one year has passed but its time again for our annual Nutmeg State Hamfest & Convention. It will be on Sunday Oct 21st. This is our largest fundraiser and accounts for a good part of the operating budget for the MARC. We need a good core of volunteers to man the ticket booths, outdoor & indoor, crowd control, etc. Jim N1ZN is the volunteer coordinator and will take all the help that is offered. The event has two components, the outdoor and very popular tail-gating flea market and the indoor event with vendors, programs with various speakers and a VE session. We could use help from like 6am (or earlier) to start setting up & coordinating the outside vendors, and the majority of assistance is needed from just before 8am to 2pm to staff the entry doors for ticket sales and information assistance. The VE sessions and speaker forums also will need a few volunteers basically for setup and direction pointing for the attendees. Just remember that the people working the event might like a chance to meander about themselves for a bit or for a "relief" break . Bill W1KKF, will be manning the PA (Public Address) duties and prize ticket sales Table, John N1GNV is in charge of inside vendor table coordination sales, Jim N1ZN is the Coordinator of volunteers, Mark K1PU is the Outdoor Flea Market commander, Rich WA1TRY will be doing the ticket sales managing and financial advisor and Al N1API will be in charge of the club flea market table where members can bring items to sell and the club gets a small percentage... John K1VDF is operating the Talk-In on the Club Repeater, Hope I did not forget anyone...

Activity meeting Thursday October 25

Mike K1LHO will conduct a seminar on ECHO-Link and IRLP, EchoLink is a computer-based Amateur Radio system distributed free of charge that allows radio amateurs to communicate with other amateur radio operators using Voice over IP technology on the Internet for at least part of the path between them. It was designed by Jonathan Taylor, K1RFD . IRLP - Internet Radio Linking Project - has been around since 1997. It is another way to communicate using Amateur Radio and VoIP. This will be the last activity for 2018, other than the Christmas Party. Novembers activity meeting falls on Thanksgiving Day and Decembers activity meeting falls during Christmas week., and they will be cancelled. Congratulations to Ed W1YSM for a great year of activities....

Christmas Party , Thursday December 13th, Serafino's Restaurant

Its time to start thinking about the Annual Christmas Party, which once again will be held at Serafino's Restaurant, The cost is \$25 per person, payable to Dave K1WJL who will be in charge of the collection and attendance list. Please confirm and pay by Friday Dec 7th so we can give an accurate head count to the chef.

JOTA Jamboree Saturday Oct 20

The clubhouse will be open on Saturday Oct 20 for Jamboree On the Air, a Boy & Girl Scout event to give scouts a chance to experience Ham Radio... more on following pages.



Secretary Report & Minutes of Meriden Amateur Radio Club (M.A.R.C.)

SEPTEMBER, 2018

Meeting called to order hours by President W1KKF.

Introductions/ Members present: Introductions of attendees were made.

Visitors present:

Prior to the business meeting, a short dedication ceremony of the OEM radio room in memory of Chris Sievert (W1VXH). Chris's family was present as was the Chief Richard Heidgerd, Len Guercia and Scott Maguder,

Minutes of August meeting: Read by KC1SA.

Treasurers report: K1WJL read a detailed report and was accepted as read.

Committees:

Activities: W1YSM reported on the planned activities for the duration of 2018.

9/27 – Electro Magnetic Pulse by Yale professor

10/25 – K1LHO Echolink / IRLP

12/13 – Christmas Party, AB1DQ discussion on Amateur Radio in Pop Culture

1/24 – N1ZN – Hardline Coax

2/28 – K1WJL – Baluns & Traps

3/28 – Salem amateur radio club – how they operate emcom

4/25 – K1EHE – Amateur rocketry and radio

Station Activities: Saturday's continue to be a productive day for members using the shack.

Nets: Reports were given by K1TDO for the 2 meter net, K1VDF for the 10 meter net and a few members reported for N1ZN on the 6m net.

Castle Craig: N1API reported on the results of the summer QSO party.

Scholarship: KE1AY reported nothing new for the scholarship committee.

Membership: KC1SA reported membership at 80 members.

Interference: K1VDF reports no issues. K1TDO had a short discussion on interference.

VE: A VE session will be held on September 15 at the OEM building and another in October at the Nutmeg Hamfest. Two members are attending the session on September 15th for license upgrades.

Nutfest: K1LYP to get with N1ZN finalizing the program.

Candy Store- Website has details for any club clothing or badges.

Key Klix: K1WJL welcomes any articles and photos. There will be second September issue (special edition) to be published in the next week.

EMCOMM: KB1JL reports SET is October 6th. WA1SFH expanded on SET that will occur on the morning of October 6th. Check out more information at: http://www.ctaresregion2.org/events/arrl-simulated-emergency-test-ct-section/6920/?filter_reset=1

On October 7th we are participating in the Fishbein race. Still looking for a couple volunteers. KC1SA has sent emails to previous participants, most are willing to participate this year. We still need two additional folks. Get with KB1JL or KC1SA if you'd like to participate.

October 6th and 7th is the Celebrate Wallingford event, it's unsure if we are participating in that event.

CERT training this fall at the OEM. Training is 6 weeks long, typically 2 hours once per week and one 5 hour training on a Saturday. Looking to fill this class and still need 6 additional folks. See KB1JL for information.

Old Business;

US Islands – K1RCT gave an update in Key Klix and W1KKF and K1RCT gave an update.

New Business:

Donate to the heart association – Memory of Joe Rish (KB1GWP) – K1WJL to send \$100 donation.

JOTA – A commitment from a troupe in Durham to come to the OEM. Date is October 20, 2018. We'll need some volunteers at the OEM.

Secretary – KC1SA will not be running for the Club Secretary position for 2019. So far one person (NZ1J) has expressed interest as a candidate, of course nominations from the floor are welcomed.

Meeting was adjourned at 2008 hours.

Respectfully submitted,

KC1SA, September 22, 2018



“TRY” THIS! A monthly blurb about PC and Ham Radio *Stuff*

Rich WA1TRY

Part One *Is my coax connection really good?*

Try this to check your newly assembled / soldered / crimped coax connectors. If you happen to own or know where you can borrow one of those fancy antenna analyzers (like the club's MFJ-259b) or most other antenna analyzers here's a ***Try this*** thing for you.

After assembling any kind of 50 ohm coax connection we usually test it by using an ohm meter or some kind of continuity checker for connectivity while flexing and stressing the connection. This works somewhat, but many times even the small current used by the testing device can't hide a "weak" connection that is just being barely made. For example sending a watt or two down the coax to a dummy load and looking at an in-line SWR meter to check for a "good connection" won't sometimes reveal an intermittent mechanical/electrical connection because those watts are enough to over-ride that micro-fracture. Here's a better way.

Take your analyzer and set it for the frequency you want to check. Then set it to check for coax loss. Now connect the coax cable to the meter and leave the other end open, which is with nothing attached to it. You'll then be able to see the coax's loss in dB being displayed on the digital meter. At this point take a look at the analog meters (i.e. the MFJ-259). You need an analyzer with analog meters for this technique to work. Now while flexing the coax connector, watch the meters. If there is even the slightest intermittent connection one or both of the analog meters will move around. I've found this will show a bad connection when using SWR / Power meters and dummy loads or continuity testers showed them to be good. The extremely small amount of current used during that analyzer's computation while computing the loss of the coax is much more sensitive than checking for continuity using higher current by other testing equipment.

And while we are on the subject of antenna analyzers, be SURE to first ground the line you are checking BEFORE attaching that coax to the analyzer. Some of the bridge diodes in that circuitry are easily destroyed by static charges built up in that coax lead.

For example, as you disconnect the coax coming down from the antenna you should short the internal conductor to the shield, its connector's outer shell or some kind of known ground. Many times a guy will disconnect an antenna lead and then for what-ever reason leave it dangling for a while. Depending on the antenna design you could have a lot of un-grounded wire or metal up the air just building up a static charge. This especially true when you are working during a sudden change in EMF buildup by passing clouds or changing weather. A few minutes later, there can be enough static build up left in that antenna and cable to destroy those sensitive components in that expensive meter as soon as you plug it into that coax.

So before hooking up "anything" to that meter, first short out that antenna lead! Sometimes a metal tool, screw driver etc. can be used or in a pinch at least use the grounding lug on the analyzer to short that PL-259 center conductor to its grounded connector shell.

Part Two *Hams I have known. Paul Boardman, WN1YAX, WA1YAX, AI1L*

This story has a little "Paul Harvey" type of twist. If you don't remember or know him, he was famous for short, interesting and often unknown stories with a surprising ending that always ended with "***And now you know the rest of the story.***"

It was in the middle 1970s when I first met Paul Boardman. Back in those days I was driving around Southern Connecticut doing in-home appliance repair for a major appliance retailer. Paul's house was my last stop on a Saturday afternoon in Wallingford before heading home to Meriden. I met Paul and his wife Hazel at their Wallingford home while servicing their electric range which unfortunately had one of the new ceramic style flat cook tops which had some serious damage. A large pot dropping from an over-head cupboard can really destroy one of those smooth top stoves.

As I walked into the kitchen I could hear an irritating noise from a CB set, blaring out the sounds of a 1970s channel 19 at the height of that current sunspot cycle. Paul quickly turned it off and said something about how he liked to listen to the truck drivers but that day the skip was so bad he couldn't understand anyone. He said he like to listen and didn't talk but also monitored some police and fire stations on a scanner as well. So of course I asked him if he ever thought about trying ham radio. And that was the opening of the door to yet another ham radio prospect.

continued on next page

continued from last page

One of the things I miss most about my few decades of working with people in the service industry was meeting new and interesting people every day. Saturdays were a must work day for me as a lot of people were only home on weekends. And that meant the "husband" and resident expert on all things in his castle would be there to scrutinize and uh help. But I enjoyed chatting with people and having someone watch over my shoulder was not a problem. In fact it gave me a chance to talk and compare notes about all things in the world.

I could tell Paul was a nice guy and we started gabbing about things while I replaced his cook top. He was retired from the Marines and raised rabbits. Huh? Rabbits? He had a beautiful house on a fair amount of land on School House Rd. not far from a golf course. I said, "I didn't think there was a lot of money to be made raising rabbits". He took me to the kitchen window and pointed out to the back yard where there were a few LARGE long buildings. My memory might be a little hazy but I know there was at last two. These were wide and long, maybe more than a hundred feet long each. And he said they housed **several hundred rabbits**. I was astonished. Later he gave me the grand tour and I've never seen so many rabbits in one place.

It was literally a giant rabbit farm. Paul was raising them for hospital and laboratory research. When it was time to leave I asked him to accompany me to my truck so I could show him something. There I showed him my old single side band CB set that was converted to 10 meters. Yeah, I had a ham radio in my company truck. It had a 10 meter Sqalo antenna which kind of looked like a roof top luggage rack. There, in his driveway with that converted 5 watt CB set I made about 5 or 6 quick contacts on 10 meter SSB to a few fellow hams in the Southern US and some European countries. Paul was hooked. Since he was my last call that day I hung around a bit and we talked about ham radio. I told him I had just purchased a new home a few miles North of him to South Meriden and I would be glad to spend some time getting him into ham radio. Of course there was the issue with having to learn Morse code but I offered to help him with that. So over the next few weeks about three nights a week I'd spend an hour so at either Paul's house or my house. He was a quick study And boy did he jump into ham radio with both feet. As a Novice WN1YAX, he was well on his way to WAS after only a short while. I used to hear him on the 40 meter Novice band in the wee hours of the morning chasing those states and some DX. I was also a night owl and was usually working the bands to 2 AM and later. So I often looked for Paul for a short rag chew..

A year earlier had bought my first Ten Tec QRP rig, and I was hot to work WAS with 5 watts. I kept running into Paul and often would challenge him to work the guys I was working by turning down his power to 5 watts. I remember when I was looking for that last elusive QSO with Alaska to make my 5 watt Worked all States official. Boy that was a hard one. One night around 2 AM in the morning I was turning around 40 and 80 looking for Alaska when my telephone rang. "Who the heck is calling me at 2 in the morning, I thought?" I picked up the phone and it was Paul, who said, "Rich. Quick get on 40 meters I just worked a guy there from Alaska. Listen to this" ... (he turns up his radio audio so I can hear it on the phone). There must have been a good East to West long path and the guy in Alaska started working a small pile up with *thankfully* - CW. There was no way I was going to break into the frequency with my miniscule 5 watts on phone. So that night Paul listened in as I finally worked Alaska with 5 watts. The last thing I heard just before he hung up the phone and laughed, "My work here is done, and I'm going to bed." Paul also was gratuitous to allow the Wallingford Repeater to use his place to house the W1KKF repeater for a while. In front of one of the rabbit buildings was a pole where we could mount an antenna, and we had a small box that housed the actual repeater. It was just a closed up box and exposed to the elements which caused the duplexer to drift frequency with the changing temperatures. So one night I stopped by with my appliance repair truck and installed a 100 watt light bulb controlled by a strategically placed clothes dryer thermostat. So we now had a temperature controlled environment for the repeater.

Paul went on to get his WAS and DXCC and was one of the most active hams in our area until the day he became a silent key. I'm proud to be the recipient of an ARRL Elmer's award presented to me at Paul's request. Paul has a bit of history attached to his call sign. One evening he happened to hear a call for help from a ham radio operator in Central America. He answered and found that there was a medical emergency happening as a woman in a small communal compound deep in the jungle was having critical medical issues giving birth. The commune was far from civilization and woman was dying. Paul got on the phone and called Yale New Haven hospital and got to talk to a couple doctors in their emergency room. That night, Paul kept in contact with the people in the jungle commune and the doctors at Yale and relayed information between the two as the woman and her baby were saved. The doctors had to relay instructions via Paul's land line phone and ham radio from Connecticut to a jungle village in Central America. The story hit the newspapers and it was subsequently written up. There are copies of the articles in the MARC history archives if we ever find them. So that was Paul's deserved claim to fame. But the story didn't end there.

continued on next page

Many years later that little commune known as Jonestown, Guyana, was the place of an unspeakable horror now known as the Jonestown Massacre.

On November 18, 1978, at the direction of charismatic cult leader Jim Jones, 909 members of the People's Temple died, all but two from apparent cyanide poisoning, in a "revolutionary suicide." They included over 200 murdered children. Including the woman and her child that Paul had helped saved.

And now you know the rest of the story.

73 de WA1TRY – Rich



FROM AL N1API:

FT8 Mode becomes Number 1 in LoTW

Logbook of The World (LoTW) reports that more than 2.3 million FT8 contacts were uploaded in 1 month — a net gain of 1.2 million contacts on all modes over the same month last year, ARRL Radiosport Manager Norm Fusaro, W3IZ, said. Over the same period, activity in some of the other modes has declined. "Year-to-date DXCC applications are up by 11% over the same period last year," Fusaro said. "So far, we have processed 898 Worked All States (WAS) applications — a 72% increase over the same period last year. Of those applications 347 — or 39% — were FT8 endorsements. Application for VUCC are also up by 33% over 2017."

Fusaro said that while some feel that FT8 is "taking over the world," subsuming all other modes, that's not the case. "Activity in the traditional modes of SSB and CW has decreased only slightly, by 10%," he said. "The real decrease is in RTTY and PSK activity and in the other WSJT-X modes. I believe poor propagation would have cut into SSB and CW activity, regardless of the new mode." Anecdotal reports support Fusaro's hard numbers, with wall-to-wall signals surrounding the FT8 watering holes. Late last year, Denny Berg, WB9MSM, achieved his goal of completing DXCC using FT8. It took him just 4 months. "I can tell all of you that this mode is spreading like wildfire throughout all the HF Bands,"

Berg told The Daily DX at the time. He said he was able to work all states on FT8 in about 6 weeks of operating. Joe Taylor, creator of the WSJT-X program, has characterized SSB and CW as "general-purpose modes" that are good for ragchewing, DXing, contesting, disaster communication, and other purposes. On the other hand, he has said, FT8 and the other protocols in the WSJT-X suite are "special-purpose modes," designed for making reliable, error-free contacts using signals that may be too weak to work using more traditional modes — and sometimes even too far down in the noise even to hear.---

Courtesy of the ARRL West Gulf TX Newsletter of September 2018



NEWS & VIEWS FROM OUR MEMBERS:

EDITORS NOTE:

THE COMMENTS AND OPINIONS EXPRESSED ARE SOLELY OF THE AUTHOR OF THE LETTER .

First, I'd can't help for bragging about my wife, Roberta, receiving the Spirit of Meriden Award from the city of Meriden, and October 2, 2018 being named Roberta Anne Ash day in Meriden, for 32 years of dedicated service with the David Brian Ash Foundation.

Second, I want to throw my support to Fred Hopengarten, K1VR. I have been very dissatisfied with our current director, Tom Frenaye. I had considered running for a director myself, and even obtained the nomination papers from the league. When I realized the amount of time required, I changed my mind. Today, when I received my ballot, I was shocked to realize the how far I go back with Fred. We went through school together, and he graduated from my high school just one year ahead of me. We hadn't been in contact for over 50 years, but when I sent him an email, he not only remembered me, but mentioned that my father, W1HOL, administered his Novice exam in 1956 in my home. Take a good look at his resume and experience. This is the kind of changed the league needs, and I hope that you fellow league members will support him.

Mike Ash K1LHO

The World of the Virtual Elmer

By AB1DQ, James M. Surprenant

Amateur radio has come a long way from its earliest roots when enthusiasts were primarily involved in building and experimenting with RF. And while some may feel we have become a community of appliance operators, for many, such as myself, the ability to build and operate their own gear is elemental to their enjoyment of the hobby. As a builder, I feel I am blessed to be living in the 21st century with broadband access to infotainment on demand via the internet. Unfortunately, given the open nature of and easy access to the internet, no one needs to be an expert, and anyone can publish anything without good peer review – so be careful of what you consume! That said, there are some excellent online resources for the curious ham/maker where he can learn much and gain inspiration.

YouTube has become the standard for access to hundreds of outstanding content providers for free, if you don't mind Google mining your viewing history and interrupting your video with 'targeted' advertising. If you are willing to pony up a buck or two a month, you can sponsor many YouTube providers via Patreon, where in exchange for your donations, you are often rewarded with exclusive commercial free content and other perks as a sponsor. Currently I sponsor seven content providers, several of which have become my 'virtual Elmer.' Here are three of my favorites.

1.) Mr. Carlson's Lab. If, as a ham radio and electronics enthusiast, I had to choose only one YouTube channel to follow, it would be Mr. Carlson's Lab, hands down. Paul Carlson, VE7ZWZ, is a gifted electronics engineer who generously shares his knowledge and expertise and patiently presents his material at a pace even an aging electronics blockhead with deteriorating grey matter such as myself can follow. You owe it to yourself to check out his bench on YouTube – it is massive!

While most radio and electronics YouTube content providers will walk the viewer through the steps for assembling circuits and troubleshooting and repairing broken gear, Mr. Carlson takes the time to thoroughly explain the theory of why things work (or don't) and even walks the viewer through the math. I have learned much from Paul particularly regarding troubleshooting and the versatile use of an O-scope. Paul also shares original schematics for many of the useful devices he engineers. Currently I am constructing his recently published high voltage capacitor discharge device.

See illustration on next page

© 2018 Mr. Carlson's Lab

2.) Fran Lab. Fran Blanche, who has developed and sold boutique fuzz pedals for guitarists since the 1990 under the brand Frantone Electronics, hosts this must-see YouTube Channel.

While not a ham, Fran's knowledge is extremely broad, and her content is varied including vintage Heathkit builds, mods and repair, clock and timer circuits, 3D printed and milled project case construction, Nixie tube circuits, vintage computers, and much more.

Like Mr. Carlson, Fran knows a lot about a lot, is willing to share, is inspirational and entertaining. She also has a pretty mean guitar lick.

3.) Technology Connections. Alec Watson is also not an amateur radio operator nor does his content deal with radio specific topics. But for the engineering-curious, he provides exceptional content with the stated goal of sharing the working sand mechanisms of single devices as well as the history of technological innovation.

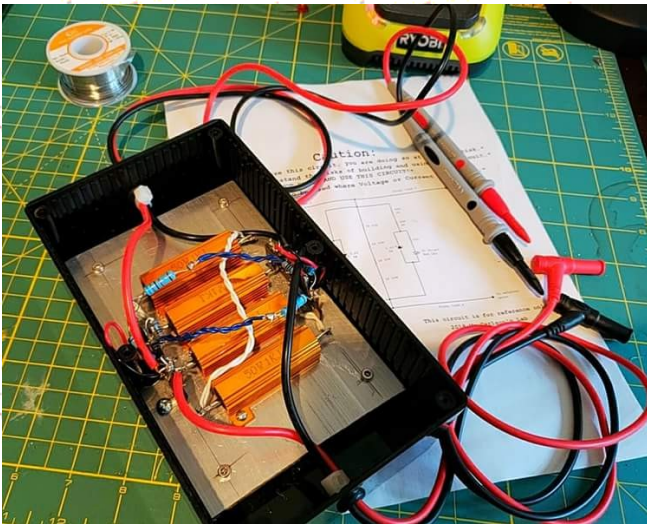
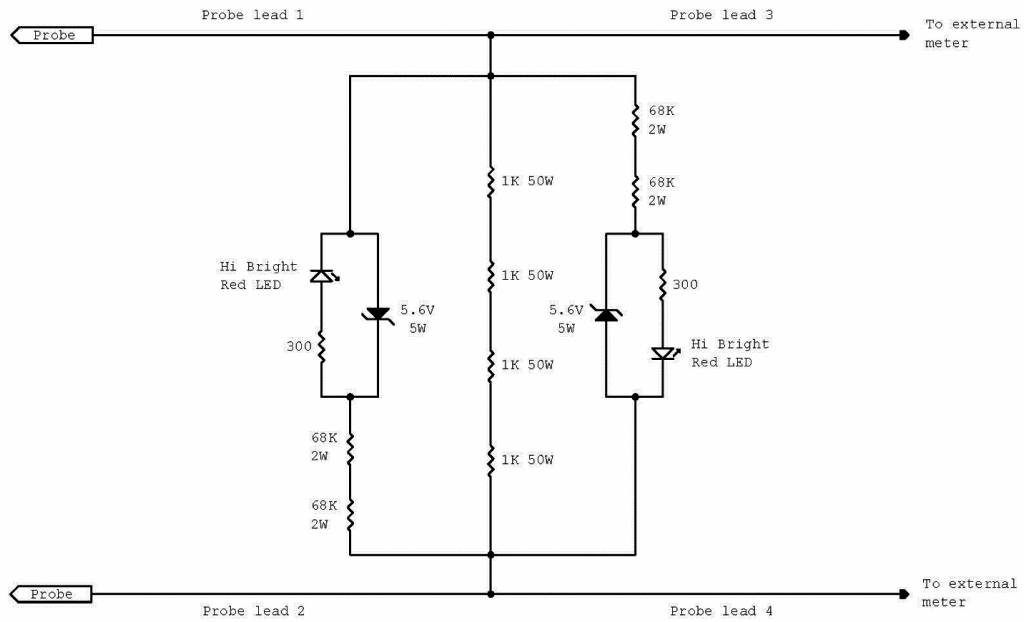
Alec's content is fascinating, and his on-camera persona is humorous and entertaining. Recent posts have dealt with digital sound technology, including an introduction to the compact disc, a demonstration of how a GFCI works, sodium v. LED municipal lighting, electric vehicles, and an in-depth technological exploration of the development of color television.

Other favorite YouTube content providers that I sponsor via Pateron include Techmoan, The 8-Bit Guy, Curious Droid and LGR-Lazy Game Reviews. There are hundreds of other great YouTube channels out there – and you are probably already familiar with many that are amateur radio specific including Bob Heil, Gordon West and company's weekly Ham Nation, Dave Casler, KE0OG's Ask Dave!, Jason Johnston, KC5HWB's, Ham Radio 2.0, Randy Hall's K7AGE, and the often irreverent Bob Brodovsky's, K6UDA. The League operates a YouTube channel under ARRLHQ, but unfortunately, they do not post new content regularly.

So, what are some of your favorite YouTube content providers? Share, and let me know what is currently on your bench – I hope to bring the Capacitor Discharge device to show and tell at a future MARC meeting!

73 de AB1DQ
James

from previous page



JOTA BOY & GIRL SCOUT JAMBOREE ON THE AIR SATURDAY OCT 20 AT THE EOC. A MAIN TOPIC OF DISCUSSION AT A PREVIOUS MEEING WAS HOW TO PRONOUNCE JOTA EITHER JAH-TA OR JOE-TA ???? WHATS YOUR FEELING....



Nutmeg Hamfest

And Connecticut State ARRL Convention
Sponsored by the Meriden Amateur Radio Club, Inc.



Sunday, October 21st, 2018
At the Sheraton Four-Points Hotel
275 Research Parkway
Meriden, CT 06450



We're looking forward to presenting Southern New England's Biggest and Best Hamfest including lively and interesting speakers and VE examinations. As always, you'll find a large indoor exhibit hall with new radios and accessories, and informational displays. We'll have a large tailgating/flea market area too. You never know what treasures you'll find, but there's sure to be something you just can't live without!

General Information:

Gates open 6:00 AM for Tailgating and Inside Vendor Setup
New! Earlier opening -- Building open 8AM to 2PM for the general public

Note: No one except inside vendors and staff will be admitted into the building prior to 8:00

Talk-in 147.36 R, +600, no PL

General Admission \$8.00, Under 12 free
Tailgating \$10.00 per space
Inside Tables \$20.00 each

VE Session

Contact Don Mitchell, KE1AY dmitchell1273@SBCGLOBAL.Net
Note: The VE Session will start at 9:30 Sharp!
While we may be able to accommodate walk-ins, pre-registration is strongly recommended

Great Door Prizes!

First Prize: Yaesu FTM-3200 Transceiver
Provided by KJI Electronics



Second Prize: Coax and Powerpole Crimp Kit
Provided by Quicksilver Radio



Third Prize: QJE 30 Amp Station Power Supply
Provided by Lentini Communications



Many door prizes to be awarded during the event
You must be present to win any prize.



YAESU Factory Reps will be here to demo their great line of radios and answer your questions.

Our Featured Speakers:

Back by popular demand: The famous Go-Kit Competition. All day in the main exhibit hall. If you've built one, come show it off. If you're thinking of building one, you'll get some great ideas and suggestions from experienced constructors. Either way, it's a lot of fun and you don't want to miss it!! The irrepressible Douglas, WA1SHF welcomes you to participate.

9:00-9:45 AM: ARRL Section Meeting with Connecticut Section Manager Chuck Motes, K1DFS; NE Division Director Tom Frenaye, K1KI, and Vice-Director Mike Raisbeck, K1TWF

10:00-10:45AM: Software Defined Radios. Dr. Martin Ewing, AA6E, explains SDRs. The next generation of radios is here. What's out now, and what's coming next? Come and find out!

11:00-11:45AM: Change may be coming to entry level licensing. Bruce Blain, K1BG has a great perspective on what has worked, and what hasn't. How, and where, do we entice the next generation of Hams?

All-Day event: You've got computer questions? The experts at RVI Computers have the answers. Bring your toughest question to them and get the right answers from real professionals.

Major Exhibitors Include:

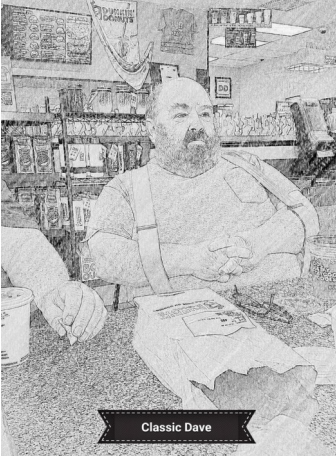
[Quicksilver Radio Products](#)

[KJI Electronics](#)

[Lentini Communications](#)

KBcubed Radio -- DMR radios
and many more

**WB1GYZ INTERPRETS
K1WJL IN B&W**



K1LYP INSTALLING NEW ANTENNA AT W1YSM'S QTH



I now have a 80-6 meter,
6 band Diamond CP-6ARS
vertical with trapped radials
45 feet up. Note 2 capacity hats.
Old one only had 6-40 meters.
Thanks to K1LYP John for
helping to put it up.

ED W1YSM

**JOHN K1LYP & STEVE K1SKL WHO DID A
GREAT JOB WITH A PRESENTATION ON
EMP AT THE SEPT. ACT. MEETING**



**DOUGLAS WA1SFH DOING THE DUTY FOR EITHER:
1. DROPPING COOKIE CRUMBS OR
2. MIS-PRONOUNCING "JOTA"**



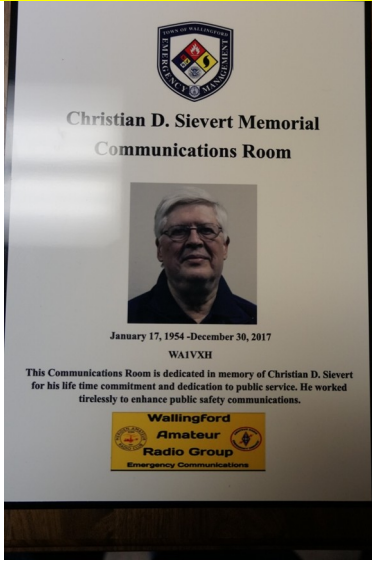
**BOXBORO ATTENDEE'S ED W1YSM, JOHN K1LYP,
& JEF N1AKN TAKING THE SHOT**



**K1LYP AT BOXBORO,
HE WANTS ONE !**



THE RADIO ROOM AT THE EOC WAS DEDICATED TO CHRIS WA1VXH ON THURSDAY SEPT 13, PRIOR TO OUR BUSINESS MEETING. WALLINGFORD FIRE CHIEF RICHARD HEIDGERD AND LENNY GUERCIA PRESENTED A PLAQUE TO DONNA SIEVERT AND HER TWO DAUGHTERS THAT WILL HANG OUTSIDE THE ENTRANCE DOOR TO THE RADIO ROOM. DONNA HAS DONATED ALL OF CHRIS'S RADIO EQUIPMENT TO THE WARG, AND WE ALL THANK HER FOR HER GENEROSITY.



TASTE OF WALLINGFORD, FISHBEIN RACE, PRELIMINARY PIX FROM JEFF N1AKN FULL STORY & MORE PIX IN THE NOVEMBER ISSUE.



RVI COMPUTERS
IT PARTNERS
THE FRIENDLY COMPUTER PEOPLE
NORTH HAVEN, CT

At the NUTMEG HAMFEST

RVI is here to help
RVI has a one hour seminar at the Nutmeg Hamfest
the first 30 minutes is troubleshooting & computer anatomy
The second half of the seminar is open questions
where RVI's head technician will answer all of your questions
RVI Computers will be offering any Nutmeg HAMFest attendee
10% off of their service for their first visit to RVI Computers.

INFORMATION PAGE

MERIDEN AMATEUR RADIO CLUB

PRESIDENT.....W1KKF BILL WAWRZENIAK
 VICE PRES.....N1API AL KAISER
 SECT.....KC1SA STEVE ALLEN
 TRES.....K1WJL DAVE SWEDOCK
 STATION A.M...K1RCT ROB CICHON

MEETINGS: NORMALLY
 7:30PM ON THE 2ND & 4TH THURSDAYS OF THE MONTH,
 UNLESS OTHERWISE POSTED,
 AT THE HOPE HILL ROAD FIREHOUSE / EOC
 143 HOPE HILL ROAD, WALLINGFORD

KEY KLIX EDITOR DAVE SWEDOCK K1WJL
 CONTACT DSWEDOCK@GMAIL.COM
 203 235-8582

MAILING ADDRESS: MERIDEN AMATEUR RADIO CLUB
 POB 583, MERIDEN CT. 06450

CLUB NETS

6 MTR NET MONDAYS 8PM
 50.175MHZ N1ZN JIM

2 METER NET TUESDAYS 7:30PM
 147.36 /RPT K1TDO TODD

10 METER NET TUESDAYS 8PM
 28.375MHZ K1VDF JOHN

10/10 CASTLE CRAIG CHAPTER
 CONCURRENTLY WITH CLUB NET
 28.375MHZ TUESDAYS 8PM N1API AL

CLUB DUES STRUCTURE (JAN-DEC)

UP TO 64 YRS OF AGE--\$20/YR

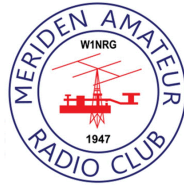
SENIOR DISCOUNT 65 & UP--\$15

WEBSITE: (USE LOWERCASE)
www.w1nrg.com

FORUM/BBS:
www.w1nrg.com/forum/
 or go to website and follow links

CASTLE CRAIG 10-10 WEBSITE:
 go to www.w1nrg.com
 and follow the links

CLUB REPEATER W1KKF/R
 147.36MHZ +600 OFFSET
 NO PL TONE (OPEN REPEATER)



AB1DQ	James Surprenant	19	KC1ISI	Kristin Olsson	18	W1RPN	Seth Kolasinski	18
AB1HB	Charlie Dudac	18	KC1IYC	John Pancoast	18	W1UFO	Mike Cei	18
AF1HS	Art Fregeau	18	KC1NS	Nancy Tipping	19	W1VCU	Nelson Denison	L
K1IIG	Steve Tripp	19	KC1SA	Stephen Allen	18	W1XK	Stan Kugler	18
K1JCF	Joe Farrell	18	KD1JG	Robert Cartier	18	W1YSM	Ed Snyder	18
K1LHO	Mike Ash	18	KE1AU	Robert Kaczor	18	W7FUR	William Spokes	18
K1LYP	John Yusza	19	KE1AY	Donald Mitchell	18	WA1FFT	Ray Irwin	19
K1MMK	Mike MacKennedy	18	KE4EYA	Ralph Ring	18	WA1JKR	John Rogus	18
K1MVM	Mike Macri	18	N1API	Al Kaiser	18	WA1SFH	Douglas Sharafanowich	18
K1PU	Mark Mokoski	18	N1AKN	Jeff Dwyer	19	WA1TRY	Rich Aubin	L
K1RCT	Rob Cichon	18	N1POP	Greg Ploski	19	WA1ZVY	Jim Martin	18
K1SEZ	Paul Ciezniak	18	N1BF	Patrick Dionne	18	WB1GGP	Jerry Shepard	18
K1STM	Anne West	18	N1BRL	Bart Toftness	18	WB1GYZ	Bob Biancur	18
K1TDO	Todd Olsen	18	N1GNV	John Bartscherer	18	WB8IMY	Steve Ford	18
K1TGX	Jerry Molaver	18	N1GY	Geoff Haines	21	WV2LKM	Steve Waldmann	18
K1THP	Dave Karpiej	18	N1HCA	Susan South	19			
K1VDF	John Blevins	18	N1JRC	John Collin Jr	18			
K1WJL	Dave Swedock	18	N1LGH	Barbara Stone	19			
K1XJ	Kevin Buchanan	18	N1NAN	Helen Spokes	18			
KA1TMN	Steve Hull	18	N1OKF	Bob Parisi	18			
KB1EHE	Eric Knight	18	N1OKR	Frank Ciccone	18			
KB1FYL	Bob Carruthers	18	N1YLN	Edward O'Lena	18			
KB1GWP	Joseph Rish, Sr.	SK	N1ZN	James Savage	18			
KB1HCC	Jonathan Winslow	20	NY2HF	Dennis Lane	18			
KB1IFZ	Elsie Mathews	18	NZ1J	Dave Tipping	19			
KB1JL	Eric Olsson	18	W1DJB	Dylan Barret	18			
KB1TJD	Gaianne Jenkins	18	W1DUP	Sherlock Campbell	18			
KB1TMC	Clare O'Lena	18	W1DQ	John Elengo	18			
KB1YFJ	Glen Couture	18	W1KKF	Bill Wawrzeniak	L			
KC1FJJ	Richard Nagy Jr.	18	W1LV	Steve Morley	18			
KC1HDB	Jeff Martin	18	W1NDT	Bob Lombardo	18			
KC1HFO	John Stoidis	19	W1NHS	Fred Ring	19			
KC1IIK	Scott Mowerson	18	W1POP	Fred Liedke	18			
KC1IIL	Matt Mowerson	18						